

2408RGR/DVIR

RGBHV / DVI /KVM Miniature Receiver

The 2408RGR and 2408DVIR are miniature VistaLINK® SNMP capable RGBHV/DVI/KVM receivers for high resolution/high quality RGB and DVI video signals. The standalone module accepts an input from the companion 2408RGR/DVIT RGBHV/DVI/KVM Transmitter and outputs both analog RGBHV or digital DVI video.

The 2408RGR and 2408DVIR are also available with analog audio, keyboard + mouse, USB 2.0 and serial data options. The fiber output is available in an assortment of optical wavelengths, accommodating 1310/1550nm and CWDM.

Features & Benefits

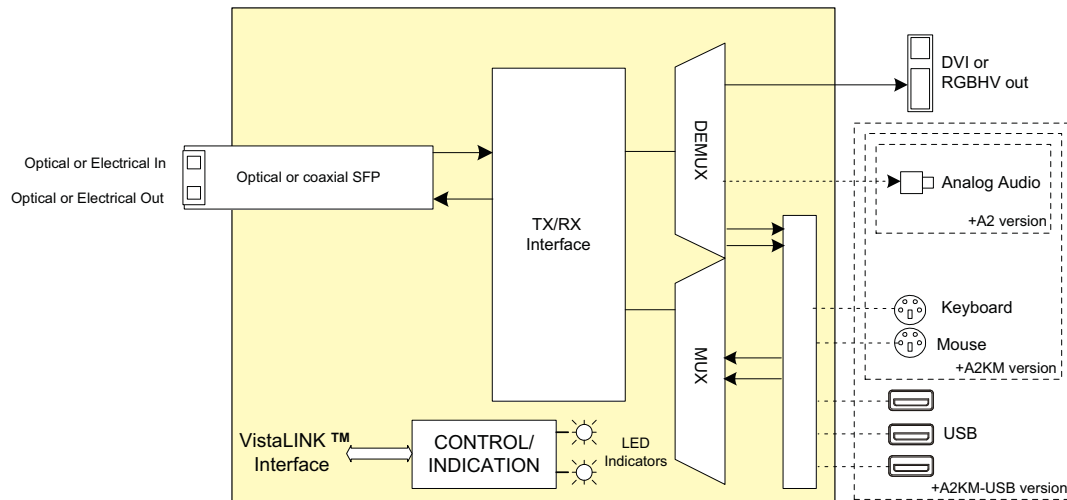
- Supports DVI and/or RGBHV transport over a single fiber/coax
- Both RGBHV and DVI outputs available simultaneously (RGR version)
- 3G router compatible for KVMX applications
- VESA video resolutions supported up to WUXGA
- Full 24 bits-per-pixel color resolution
- Ideal for use with high resolution LCD, plasma, and projection screens
- Superior digital data transmission
- No moving parts for noise free operation
- Compact form factor with optional VESA mount brackets (2400 VESA)

Optional COAX SFP is also available (see ordering options).

The 2408DVIR provides the same features listed above as the 2408RGR, and supports only a digital (DVI) output.

The 2408DVIR-2 models support dual DVI video.

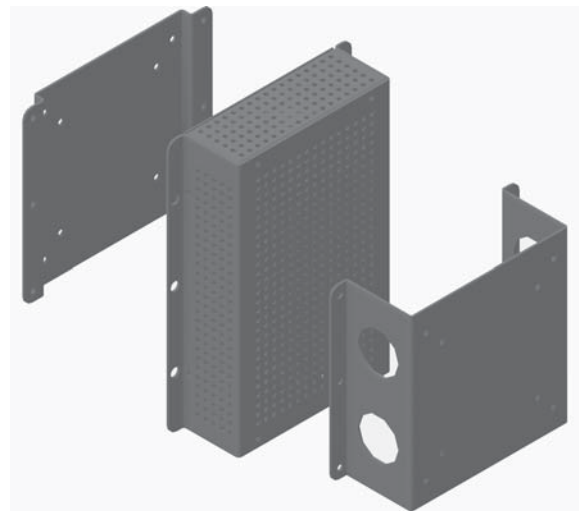
- Supports single-mode and multi-mode fiber optic cable (contact factory for multi-mode applications)
- Optical output wavelengths at 1310nm, 1550nm and up to sixteen CWDM wavelengths (ITU-T G.694.2 compliant)
- Optional 2 channel stereo analog audio
- Optional keyboard and mouse
- Optional USB 2.0 interface
- Optional +E SNMP Ethernet port and RS-232/RS-422 serial option
- Optional electrical SFP modules (+DIN)



2408RGR/DVIT Sample End Panel and VESA Mount



2408RGR/DVIT



2400VESA

Specifications

<p>Video Output: Standards: DVI 1.0, VESA Number of Outputs: 1 (or 2 on dual DVI) Connectors: 28-pin DVI (with Analog on RGBR) Video Resolution: Up to WUXGA (1920x1200) at 75Hz Video Bandwidth: 500MHz Color Resolution: 24 bits Analog Output Level: 1V p-p (maximum) Analog Output: Impedance: 75Ω Signal/Noise Ratio: > 55dB</p> <p>Analog Audio Output (A2, A2KM & A2KM-USB versions): Number of Inputs: 2 Type: Balanced and unbalanced analog audio Connector: 3.5mm female stereo (unbalanced), DB9F (balanced) Impedance: High Impedance (> 20kΩ) Frequency Response: ±0.1dB (20Hz to 20kHz) THD: < 0.005% (20Hz to 20kHz) Channel Phase Diff: < ±1° SNR: > 85dB Level: +20dBu to +3dB Maximum Output Level: +24dBu into 10kΩ loads</p> <p>Keyboard/Mouse, USB Input/Output (A2KM & A2KM-USB versions): Standards: USB 2.0 Number: 2 (A2KM versions), 5 (USB versions) Connector: 2 PS2 for keyboard & mouse 3 USB Type A</p>	<p>Optical Input: Number of Inputs: 1 per SFP Connector: Female LC/UPC Operating Wavelength: 1270-1610nm Max Input Power: -1dBm Optical Sensitivity: Standard: -21dB</p> <p>Optical Output (A2KM & A2KM-USB versions): Number of Outputs: 1 per SFP Connector: Female LC/UCP Wavelengths: Standard: 1310nm CWDM: 1270 -1610nm Output Power: 1310nm: -2dBm ± 1dBm CWDM: +4dB ± 1.5dBm</p> <p>Electrical Output: Number of outputs: 1 per SFP (when fitted with +DIN option) Connector: DIN Type 1.0/2.3 connector (75W)</p> <p>Electrical Input: (A2KM & A2KM-USB versions): Number of inputs: 1 per SFP (when fitted with +DIN option) Connector: DIN Type 1.0/2.3 connector (75W) Equalization: Typical 100m @ 3Gb/s</p> <p>Electrical: Voltage: 12V DC , Auto ranging 100-240V AC 50/60Hz adapter included Power: 11W (based on options)</p>	<p>Physical: Dimensions (with flanges): 7.81"L x 5.63"W x 1.75"H (199mm L x 143mm W x 45mm H)</p> <p>Compliance: Electrical Safety: Power supply UL listed Complies with CE Low voltage Directive Laser Safety: Class 1 laser product Complies with 24 CFR 1040.10 and 1040.11 IEC 60825-1 EMI/RFI: Complies with FCC Part 15, Class A EU EMC directive</p>
---	---	---

Ordering Information

2408RGBR	RGBHV/DVI Receiver, 3G router compatible, VistaLINK® includes SFP Receiver (must specify SFP module for COAX)
2408RGBR-A2	RGBHV/DVI + 2 Analog Audio Receiver, 3G router compatible, VistaLINK® includes Receiver (must specify SFP module for COAX))
2408RGBR-A2KM	RGBHV/DVI + 2 Analog Audio + Bi-di Keyboard and Mouse Receiver, 3G router compatible, VistaLINK® (must specify SFP module)
2408RGBR-A2KM-USB	RGBHV/DVI + 2 Analog Audio + Bi-di Keyboard and Mouse + USB 2.0 Receiver, 3G router compatible, VistaLINK® (must specify SFP module)
2408DVIR-USB	DVI + USB 2.0 Receiver, 3G router compatible (must specify SFP module)
2408DVIR-A2-USB	DVI + Stereo Audio + USB 2.0 Receiver, 3G router compatible, VistaLINK® (must specify SFP module)
2408DVIR-2	Dual DVI Receiver, 3G router compatible, VistaLINK®, SFP's ordered separately, two required - consult factory for options
2408DVIR-2-USB	Dual DVI + USB 2.0 Receiver, 3G router compatible, VistaLINK®, SFP's ordered separately, two required - consult factory for options
2408DVIR-2-A2-USB	Dual DVI + Stereo Audio + USB 2.0 Receiver, 3G router compatible, VistaLINK®, SFP's ordered separately, two required - consult factory for options

Electrical Ordering Options

+DIN SFP Transceiver, DIN Type, supports rates up to 3Gb/s

Optical Ordering Options (Only for A2KM and A2KM-USB)

+13 SFP Transceiver, 1310nm, standard sensitivity receiver, supports rates up to 3Gb/s

+Cxx SFP Transceiver, CWDM, standard sensitivity receiver, supports rates up to 3Gb/s

Note: xx=27 to 61 and 55= 1550nm laser

Local SNMP Monitoring

+E SNMP Ethernet Port and RS-232/RS-422 serial option

Ordering Options

2400VESA VESA Extension mount for 2400 series RGB/DVI/KVM products

All 2408 models include power supply