

# 3067VIP-3G-36x4

## Next Generation QUAD Output, 36 Inputs Compact Multi-Image Display Processors

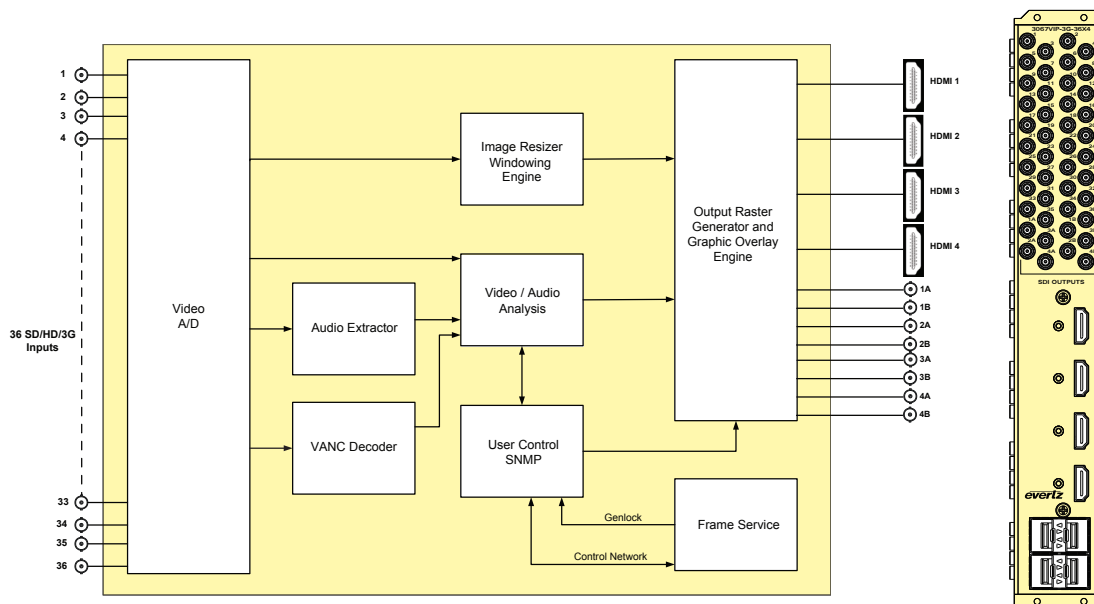
3067VIP-3G-36x4 is the most advanced high density multi-image display processor technology available. It supports SD, HD and 3G/s SDI inputs and up to quad unique display outputs. 3067VIP-3G-36x4 offers seamless UHD input (no visible quadrant) monitoring and natively drives UHD displays. Each 3067VIP-3G-36x4 input can be displayed in any size, position or aspect ratio on any display. The 3067VIP-3G-36x4 provides the best quality input reproduction; it leverages the same video processing technology as Evertz conversion products.

The 3067VIP-3G-36x4 is a hot-swappable device, which can reside in any Evertz EMX series frame available in 1RU, 3RU and 6RU, with optional redundant power supplies. This allows high density I/O count per RU.

The 3067VIP-3G-36x4 is VistaLink enabled offering remote monitoring, control and configuration capabilities via SNMP. The 3067VIP-3G-36x4 is easily configurable via the web interface. Layout can be designed in a live control environment using a VUE-WEB (web browser). Key features include automatic aspect ratio adjustment per source basis, graticule generation, VITC/HD time code decode, cc decode/burn-in and more.

### Features & Benefits

- Accepts 36 inputs with embedded audio
- Auto sensing SD, HD and 3Gbps inputs
- Supports up to x8 UHD inputs simultaneously
- Supports dual UHD (3840x2160) outputs or quad outputs up to 1920x1200 resolution
- Best image quality in industry
- Allows for full screen viewing of any input on any output
- Support for dynamic under monitoring displays (UMD) and tallies from router and switcher
- Supports advanced on screen graphics, including analog clock, transparency control of objects, raised bezels and borders, custom background, custom logo per display
- Supports up to 3 TrueType fonts including non-Latin alphabets
- Built-in graticule generator, user defined per window
- Enables the decoding and display of VITC/ATC (SMPTE ST 12-1, 12M-2) time code
- Audio, video and data fault monitoring with on screen fault notification
- VistaLink capable for configuration and monitoring via SNMP
- One frame processing delay
- Real time control of display output via web-based layout design tool (VUE-WEB)
- Decoding and burn-in of 608 and 708 captions as well as Teletext
- Monitoring of the full 16 channels of embedded audio per input
- Loudness monitoring per ITU 1770, ATSC A/85 and EBU R 128
- Dolby E audio monitoring with surround sound bar graph (one per input)



### Specifications

<b>Serial Video Inputs:</b> Standards: 3Gb/s (SMPTE 424M/424M-AB) HD-SDI (SMPTE ST 292-1), and/or SD-SDI (SMPTE ST 259-C)	Number of outputs: 4 Connector: HDMI	<b>Genlock Input:</b> Type: NTSC/PAL color black Level: 1V p-p nominal Connector: Uses EMX6-FR, EMX3-FR or EMX1-FR frame genlock BNC
Number of Inputs: 36 Connector: Mini Din 1.0/2.3 connector Equalization: SD-SDI: Automatic to 200m @ 270 Mb/s with Belden 1694A (equiv.) HD-SDI: Automatic to 100m @ 1.5 Gb/s with Belden 1694A (equiv.) 3G: Automatic to > 50m @ 3 Gb/s with Belden 1694A (equiv.) Return loss: > 15dB up to 1.5 Gb/s Embedded Audio: SMPTE ST 272-A, ST 299-1	<b>Serial Video Output:</b> Standard: 3G/HD/SD best fit based on resolution selected (3G, 1080i, 720P, 625, 525, supports dual UHD outputs Square Division or 2SI) Number of outputs: 8 (maximum 4 unique outputs) Connector: Mini Din 1.0/2.3 connector Signal Level: 800mV nominal DC Offset: 0V ± 0.5V	<b>Ethernet:</b> Network Type: Fast Ethernet 100 Base-TX 1EEE 802.3U standard for 100Mbps base band CSMA/CD local area network Connector: RJ-45 via Frame Controller
<b>Display Video Output:</b> Standard: HDMI 2.0 resolutions up to quad 1920x1200 or dual UHD (3840x2160)	<b>Rise and Fall Time:</b> HD: 200ps nominal SD: 740ps nominal Overshoot: < 10% of amplitude	<b>Electrical:</b> Voltage: +12V DC Power: 130 WATTS EMI/RFI: Complies with FCC Part 15, Class A EU EMC Directive
		<b>Physical (number of slots): 2</b>

### Ordering Information

**3067VIP-3G-36X4** 36 auto sensing SD, HD, 3G inputs, quad outputs at 1920x1200 or dual UHD output

#### Ordering Options:

+SM  
+MCR

Audio level, fault monitoring for audio and video  
Dolby E monitoring, Loudness monitoring, CC/Teletext, VANC data monitoring