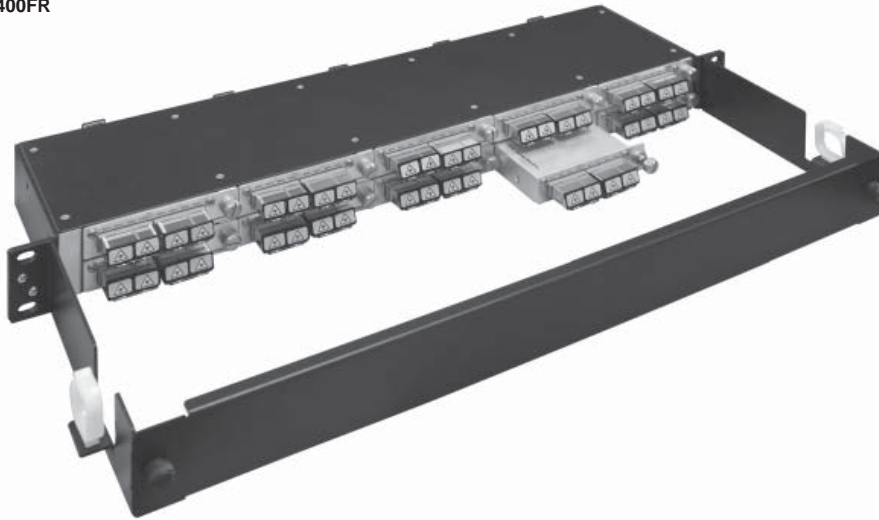


3400FR

1RU Passive Optical Frame

3400FR



Standalone Versions (+SA option)



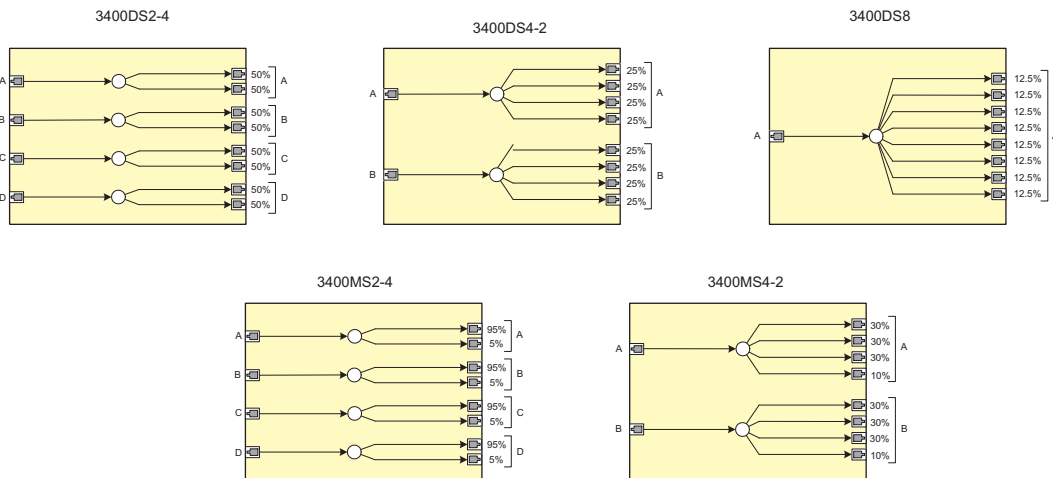
The Evertz 3400FR passive optical frame is a powerful solution for today's dense, modular, passive fiber optic distribution needs. The 3400FR provides flexible optical signal distribution in the form of splitter/combiner modules that fit in the passive optical 3400FR frame.

The 3400FR is a 1RU frame designed to house up to 10 splitter/combiner modules. Each module can be quad 1x2, dual 1x4 or a single 1x8 passive splitter/combiner. The frame can be configured for a mix of different splitter/combiner units. (See ordering options below)

The 3400 series passive splitter/combiners can support any optical bit rate and are fully passive without the need for an active power supply.

Each of the various splitter/combiner modules are also available in a compact standalone version.

All components are hot swappable through the front of the frame. This ensures that the unit can be fully removed without having to disrupt other signals being distributed within the same enclosure.



Note: Fiber ends available in both PC and APC

► Features & Benefits

- Supports 10 modules in quad 1x2, dual 1x4, single 1x8 configurations
- Wideband operation from 1270nm - 1610nm
- Passive splitter design for any bit rate
- Fully hot swappable from front of frame without having to interrupt other signals passing through the frame
- Supports single mode fiber only for high data rate and long distance applications
- Angle polished connectors available (Please see ordering options below)
- Available in equally distributed optical splitters or monitoring optical splitters
- All modules available in a compact standalone version

The Complete Solution Provider



► Specifications

Connector:	LC/PC or LC/APC	Uniformity:		
Wavelength:	1270nm - 1610nm	3400DS2-4	< 0.8dB	
Insertion Loss:		3400DS4-2	< 0.9dB	
		3400DS8	< 1.0dB	
3400DS2-4	< 4.0dB maximum	Directivity:		
3400DS4-2	< 8.0dB maximum		3400DS2-4	< 55dB
3400DS8	< 11.0dB maximum		3400DS4-2	< 55dB
3400MS2-4	95% port <1dBm	3400DS8	< 55dB	
	5% port <15dBm	Fiber Size:	9mm single mode fiber	
3400MS4-2	30% port <5.5dBm			
	10% port <10dBm			

► Ordering Information

3400FR	1RU Passive Optical Frame
3400FR-RB	1RU Passive Optical Frame with 5" recessed mounting from front of rack

Passive Optical Modules
Standard UPC polish

3400DS2-4	Quad 1x2 optical splitter with LC/UPC Connectors
3400DS4-2	Dual 1x4 optical splitter with LC/UPC Connectors
3400DS8	Single 1x8 optical splitter with LC/UPC Connectors
3400MS2-4	Quad 1x2 optical monitoring splitter, 95%/5% with LC/UPC Connectors
3400MS2-4-9010	Quad 1x2 optical monitoring splitter, 90%/10% with LC/UPC Connectors
3400MS4-2	Dual 1x4 optical monitoring splitter, 30%/30%/30%/10% with LC/UPC Connectors

Angle Polish

3400DS2-4-AP	Quad 1x2 optical splitter with LC/APC Connectors
3400DS4-2-AP	Dual 1x4 optical splitter with LC/APC Connectors
3400DS8-AP	Single 1x8 optical splitter with LC/APC Connectors
3400MS2-4-AP	Quad 1x2 optical monitoring splitter, 95%/5% with LC/APC Connectors
3400MS2-4-9010-AP	Quad 1x2 optical monitoring splitter, 90%/10% with LC/APC Connectors
3400MS4-2-AP	Dual 1x4 optical monitoring splitter, 30%/30%/30%/10% with LC/APC Connectors

Standalone option for Passive Optical Modules

+SA	Standalone enclosure
------------	----------------------