

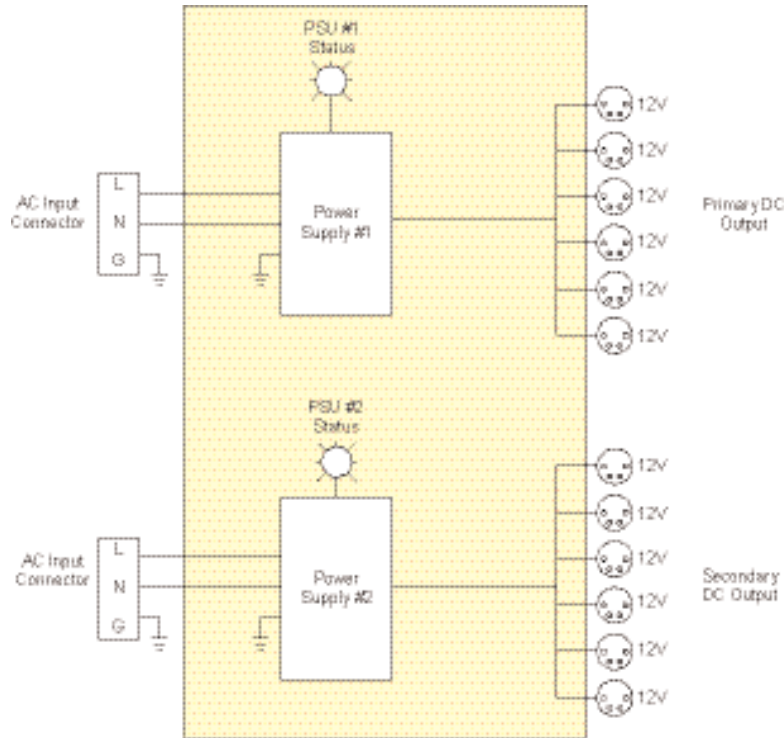
3405PS-6

Six Output Power Supply Tray for 3405FR Series Frame



►Features & Benefits

- Primary and Redundant DC power for up to six 3405FR series frames
- LED indicators display the status of each power supply
- Front extractable modules, power supplies and fans
- Auto-ranging power supply that operates from 100V - 240V AC at 50/60Hz
- Power supply and frame cooling fans are fully redundant and hot-swappable
- Spare/replacement power supplies available



►Specifications

Power Input: Number of Inputs: 2 Connector: Type B (male) Voltage: Auto ranging, 100-240V AC Frequency: 50/60Hz Power: 250W max per input	Power Outputs Number of Outputs: 6 Primary + 6 Secondary Protection: Short circuit, current limit Connector: 4 pin XLR (female) Voltage: 12V Current: 3.5A	Physical Dimensions: 1.8"H x 19"W x 4.7"D
		Environmental Temperature: -20 to +70°C

►Ordering Information

3405PS-6 6 Primary + 6 secondary output power supply tray for 3405FR series
3405PS-6-SPARE Spare/replacement 6 output power supply unit

Note: To allow flexible positioning of the 3405PS-6 in the rack, DC cables are not included and are fashioned by the customer to the required length using industry-standard XLR connectors. Optional 6 feet (~2m) cables are available for purchase.

Accessories:
WA-3405PS6-6FT 6 feet DC power supply cable for connection between 3405PS-6 and 3405FR series frames.