

3405 Coaxial SFP Series

3G/HD/SD/ASI Distribution and Changeover SFP's

The Evertz 3405 series SFP's are used in the 3405 and 3505 series of mounting frames, and 7708SFP series of card-based SFP carriers. Depending on the model, these SFP's support 3G/HD/SD/ASI distribution and/or changeover functions.

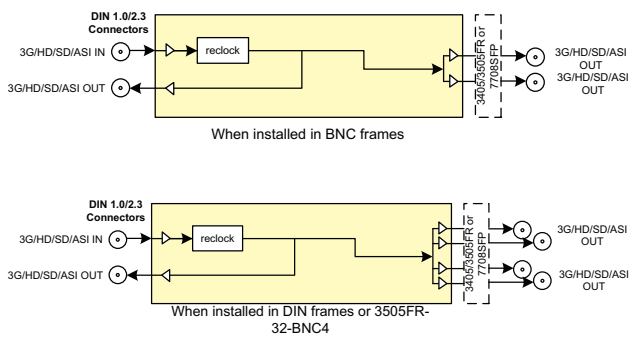
For appropriate mounting frames, please also see the 3405FR and 3505FR series frames, which are available in standalone and rackmount solutions to accommodate two to 64 SFP modules.



►Coaxial Distribution SFP's

3405DA5

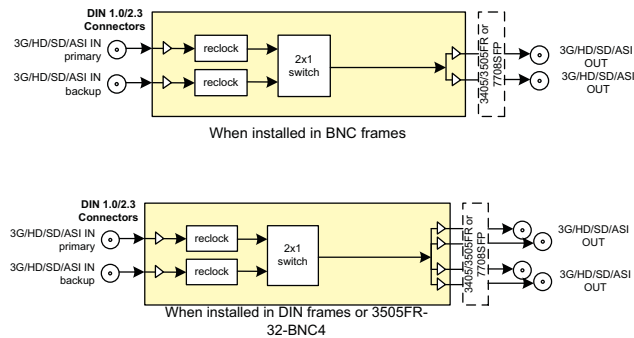
Coaxial reclocked distribution amplifier for 3G, HD, SD and ASI signals. DIN 1.0/2.3 inputs and one output. Two BNC outputs when installed in a BNC frame, four DIN 1.0/2.3 outputs when installed in a DIN frame.



►Coaxial Changeover SFP's

3405R2x1-DA4R

Coaxial reclocked 2x1 autochangeover switch for 3G, HD, SD and ASI signals. Accepts a primary and a backup input, and automatically switches to backup if the primary is not present or does not present a valid carrier. DIN 1.0/2.3 inputs. Two BNC outputs when installed in a BNC frame, four DIN 1.0/2.3 outputs when installed in a DIN frame.



►Specifications

Electrical Input:

Reclocked Standards: SMPTE 424M (3 Gb/s), SMPTE 292M, (1.5Gb/s), SMPTE 259M (270Mb/s), DVB-ASI
 Connector: DIN 1.0/2.3
 Impedance: 75Ω (nominal)
 Equalization: Automatic to 80m @ 3 Gb/s, 100m@1.5Gb/s, 250m @ 270Mb/s (with Belden1694A or equivalent cable)
 Return Loss: > 15dB up to 1.5GHz, > 10dB up to 3GHz

Electrical Output:

Connector: Integral to SFP:
 Frame: DIN 1.0/2.3 BNC or DIN 1.0/2.3, depending on model of 3405/3505 frame
 Impedance: 75Ω (nominal)
 Signal Level: 800mV (nominal)
 DC Offset: 0V +/-0.5V
 Rise and Fall Time (Reclocked SFP's only):
 HD/3G: <135ps
 SD: < 900ps
 Overshoot (Reclocked SFP's only): < 10% of amplitude

Return Loss: >15dB to 1.5GHz, >10dB to 3GHz
 Alignment Jitter (Reclocked SFP's only): < 0.2UI to 1.485Gb/s < 0.3UI to 2.97Gb/s

Physical:
 SFP Form-factor

►Ordering Information

3405DA5	3G/HD/SD/ASI coaxial distribution amplifier, reclocked outputs.
3405R2x1-DA4R	3G/HD/SD/ASI 2x1 coaxial auto changeover switch, reclocked outputs.

Enclosures

Please see the appropriate catalogue pages for details on the enclosure options listed.

3405FRM-BNC	Miniature SFP frame, single SFP capacity, BNC connectors.
3405FRM-DIN	Miniature SFP frame, single SFP capacity, DIN 1.0/2.3 connectors.
3405FRS-BNC	Standalone SFP frame, with SNMP monitoring and control, quad SFP capacity, BNC connectors.
3405FR-BNC	1RU SFP frame, optional SNMP monitoring and control, 16 SFP capacity, BNC connectors.
3405FR-DIN	1RU SFP frame, optional SNMP monitoring and control, 16 SFP capacity, DIN 1.0/2.3 connectors.
3405FR-XLINK	1RU SFP frame, optional SNMP monitoring and control, 16 SFP capacity, XLINK connector.

3505FR-32-BNC4	2RU SFP frame, optional SNMP monitoring and control, 32 SFP capacity, BNC connectors.
3505FR-64-BNC2	2RU SFP frame, optional SNMP monitoring and control, 64 SFP capacity, BNC connectors.
3505FR-DIN	2RU SFP frame, optional SNMP monitoring and control, 64 SFP capacity, DIN 1.0/2.3 connectors.
3505FR-XLINK	2RU SFP frame, optional SNMP monitoring and control, 64 SFP capacity, XLINK connectors.
7708SFP	Card based SFP carrier for 7700/7800FR series frames, one SFP capacity, BNC connectors.
7708SFP-2	Card based SFP carrier for 7700/7800FR series frames, dual SFP capacity, BNC connectors.
7708SFP-2-DIN	Card based SFP carrier for 7700/7800FR series frames, dual SFP capacity, DIN 1.0/2.3 connectors.
7708SFP-4-DIN-A	Card based SFP carrier for 7700/7800FR series frames, quad SFP capacity, DIN 1.0/2.3 connectors.