

# 5782ENC-H264HD-IPASI

## Professional Contribution H.264 and MPEG-2 Encoder

### Industry Leading Video and Audio Compression

The 5782ENC-H264HD-IPASI has been designed to deliver “best in breed” video and audio compression technology to lead the contribution market space, offering the very best video quality, latency and bandwidth utilization.

### Flexible Architecture

5782ENC flexible architecture offers both MPEG-2 and H.264 (MPEG-4 Part 10) user configurable video compression at up to 10-Bit 4:2:2 resolution. Concurrently, with latencies as low as 215ms end to end, the 5782ENC becomes an ideal compression solution for low latency contribution requirements.

### Wide Variety of Audio Compression

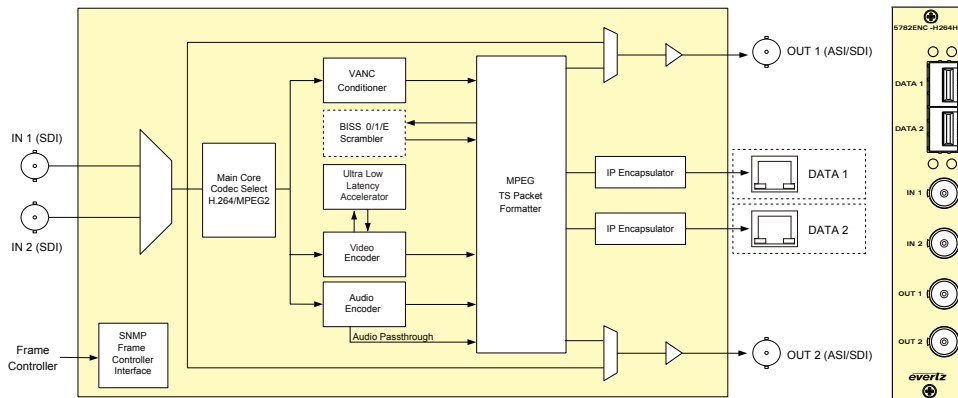
The 5782ENC supports audio encoding of up to 16 embedded channels using a wide variety of audio compression cores including, but not limited to, MPEG1L2, Dolby-E/AC-3, AAC and audio pass-through.

### Fully Feature Upgradable

As a base model the 5782ENC must be purchased with a choice of Channel Key to unlock a desired level of chroma encoding. The 5782ENC is fully feature upgradable in the field, allowing for a cost-effective migration up to a fully optioned platform capable of 422 10b with ASI and IP out. The 5782ENC offers the best performance and versatility available from a world class contribution encoder.

### Features & Benefits

- 1x High quality H.264 or MPEG-2 encoder up to 4:2:2 10-bit
- 2x HD/SD-SDI inputs
- Support for multiple audio codecs including AAC and Dolby
- Fully integrated with the industry leading VistaLINK® PRO system
- Compact 1 slot design compatible with the Evertz 570FR
- Control via 570FC controller



### Specifications

#### Video Specifications

Number of Inputs/Outputs:

BNC:	2x HD/SD-SDI Inputs 2x ASI Outputs
IP:	2x GbE Data Ports (Optional SFP)
Standard:	SMPT 292M/259M 1.485Gb/s, 270Mb/s ASI per DVB TR 101 891 (Max 80Mb/s) 1920x1080 @ 25, 29.97 1280x720 @ 50, 59.94 720x576 @ 25Hz (ITU-R BT.656-4) 720x480 @ 29.97Hz (SMPT 125M)
Video Resolution:	
Video Compression:	MPEG-2 4:2:0 MPEG-2 4:2:2 8bit (Optional) H.264/MPEG-2 AVC 4:2:0 H.264 / MPEG-2 AVC 4:2:2 8bit (Optional) H.264 AVC 4:2:2 10bit (Optional) MP@ML up to Hi422P@4.1 Encryption: BISS 1/E (optional)

#### Audio Specifications

Number of Channels:	8x PIDs of audio processing across 16x Channels of Embedded PCM
Compression Formats:	MPEG-1 Layer 2 Passthrough PCM Dolby-E Dolby Digital Optional: Dolby Digital AC-3 up to 3/2L Dolby-E Dolby Digital Plus AAC-LC, HE-AAC v1, v2

#### Ancillary Specifications

Embedding of:	Audio Pass Through Closed Caption/Teletext AFD/WSS Timecode SMPT 2038 SCTE 104 (Optional)
---------------	--

#### Ethernet

Optional Ethernet Connector:	RJ-45 auto-negotiation UDP/RTP FEC SMPT-2022 (Optional) SPTS / MPTS
------------------------------	--

#### Configuration & Management

Web Server:	Web control capable via 570 Frame Controller Interface VistaLINK remote control and monitoring via Frame Controller Compression System Manager Requires VistaLINK Pro Base
SNMP:	
CSM:	
<b>Electrical</b>	
Input Voltage:	Auto ranging 100 – 240VAC
Power:	<48W
EMI/RFI:	Complies with FCC regulations for class-A devices Complies with EU EMC directive

#### Physical

Number of slots:	1
570FR:	

### Ordering Information

#### 5782ENC-H264HD-IPASI

Professional HD/SD-SDI H.264 and MPEG-2 Encoding Platform

#### Channel Keys

ENC-CK-H264HD:	Channel Key for H.264 or MPEG-2 8bit 4:2:0 Encoding
ENC-CK-8B422:	Channel Key for H.264 or MPEG-2 8bit 4:2:2 Encoding
ENC-CK-10B422:	Channel Key for H.264 10bit 4:2:2 Encoding

#### Firmware Keys

ENC-FK-IPOUT:	Feature Key to Enable IP Output.
ENC-FK-AC3E:	Feature Key for Dolby Digital AC-3 Encoding up to 5.1 (3/2L)
ENC-FK-DEE:	Feature Key for Dolby-E Encoding
ENC-FK-AAACE:	Feature Key for AAC LC and HE, v1, v2 Encoding
ENC-FK-FEC:	Feature Key for Forward Error Correction per SMPT-2022
ENC-FK-EBISS:	Feature Key for BISS 1/E Encryption

#### SFP Modules (sold separately)

SFPR-RJ45-SGM-AV: 1x 10/100/1000 Ethernet Copper RJ45 for IP Streaming Output

#### Accessories

570FC:	3RU Multiframe Controller (necessary for 3RU SNMP control)
VistaLINK® PRO:	Network Management Software
VistaLINK® CSM:	Compression System Manager

#### Enclosures

570FR:	3RU Multiframe which holds up to 14 modules
--------	---