



The 7700 HD series Distribution Amplifiers provide reliable distribution of your 1.5Gb/s HDTV and 270 Mb/s Standard Definition serial digital signals. The 7700DA7-HD features one auto-equalized input with seven reclocked outputs. It is housed in the Evertz® 7800FR Multiframe, which is available in either a 3RU or 1RU version.

The DA has been designed to reclock at 1.5Gb/s and 270Mb/s. In non-reclocking mode, it can be used as a SMPTE ST 310-1 or SMPTE ST 259-1/292-1 distribution product.

►Features & Benefits

- Reclocking mode for SMPTE ST 292-1 (1.5Gb/s), SMPTE ST 259-1 (270Mb/s), DVB-ASI auto sensing
- Non-reclocking mode for SMPTE 310M (also SMPTE ST 259-1, 292-1)
- VistaLINK® control
- Bypass relay protection with +BPRP option

Input

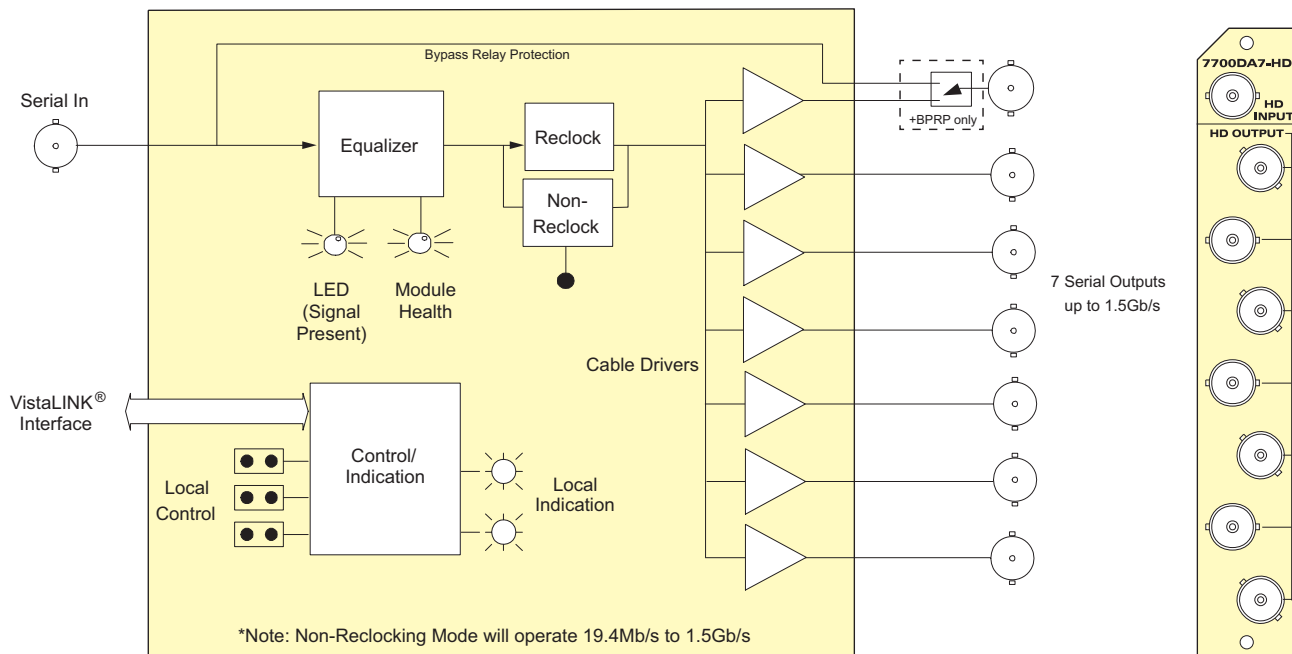
- SMPTE ST 292-1 (1.5Gb/s) Reclocking mode
- SMPTE ST 259-1 (270Mb/s) DVB-ASI Reclocking mode
- SMPTE ST 310-1 - Non-reclocking mode
- Auto equalization to 100m (Belden 1694A)

Status LEDs

- Signal presence
- Module Health Status

Output

- 7 reclocked outputs
- Wideband jitter < 0.2 UI



►Specifications

Serial Video Input:		Serial Video Outputs:		Physical (number of slots):	
Standard:	SMPTE ST 292-1, SMPTE ST 259M-1 DVB-ASI or M2S SMPTE 310M (also SMPTE ST 259, ST 292-1)	Number of Outputs:	7 per card	350FR:	1
Non-Reclock Mode:	1 BNC per IEC 61169-8 Annex A	Standard:	SMPTE ST 292-1, SMPTE ST 259-1, M2S, DVB-ASI	7700FR-C:	1
Connector:	Automatic to 100m @ 1.5Gb/s with Belden 1694A (or equivalent)	Non-Reclock Mode:	SMPTE ST 310-1 (also SMPTE ST 259-1, 292-1)	7800FR:	1
Equalization:	> 15dB to 1.5Gb/s	Signal Level:	800mV nominal	Electrical:	
Return Loss:		DC Offset:	0V ±0.5V	Voltage:	+12V DC
		Rise and Fall Time:	200ps nominal	Power:	5W
		Overshoot:	< 10% of amplitude	EMI/RFI:	Complies with FCC Part 15, Class A EU EMC Directive
		Return Loss:	> 15dB to 1.5Gb/s		
		Wideband jitter:	< 0.2 UI		

►Ordering Information

7700DA7-HD	HD/SD-SDI Reclocking Distribution Amplifier (1x7)	Enclosures	
Ordering Options	Rear Plate must be specified at time of order (Eg: Model +3RU)	350FR	3RU Portable Multiframe which holds up to 7 single slot modules
+BPRP	Bypass relay protection for output 1	7700FR-C	3RU Multiframe which holds up to 15 single slot modules
Rear Plate Suffix		7800FR	3RU Multiframe which holds up to 15 single slot modules
+3RU	3RU Rear Plate for use with 350FR, 7700FR-C or 7800FR Multiframe	7801FR	1RU Multiframe which holds up to 4 single or 2 dual slot modules
+SA	Standalone Enclosure Rear Plate	S7701FR	Standalone enclosure