

7703BPX-DC-RF

2x1 RF Protection Switch



The 7703BPX-DC-RF is a 2x1 RF protection switch for a wide range of frequencies. It provides automatic changeover functionality to provide bypass protection of RF signals from 1–2250MHz, and for DC LNB bias.

The 7703BPX-DC-RF has integrated VistaLINK® PRO technology for remote control and monitoring capability via SNMP. This provides the ability to locally or remotely configure and monitor parameters such as module status, selected input, power level and switching threshold.

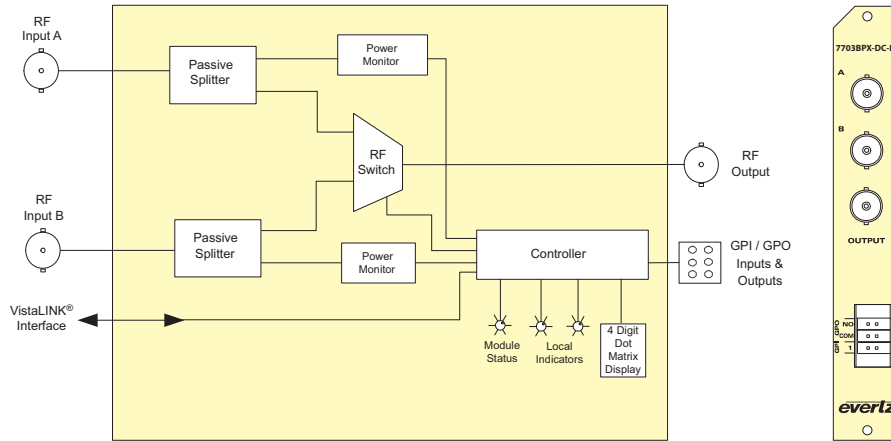
When used for automatic changeover, the 7703BPX-DC-RF has a Main input

and a Standby input. It will automatically switch to the Standby input when the Main input power is weak or lost. Switch back to the Main input when the signal is re-established, may be configured to happen manually or automatically. The 7703BPX-DC-RF may also be configured to operate manually as a 2:1 switch, which may be controlled locally or remotely via GPI or SNMP.

The 7703BPX-DC-RF/ LB occupies one card slot and can be housed in a 1RU 7801FR frame that holds up to 4x modules, a 3RU 7800FR frame that holds up to 15x modules, a 350FR portable frame that holds up to 7x modules, or a standalone enclosure that holds one module.

Features & Benefits

- Wide operating frequency range, 1–2250MHz
- Intelligent auto-switching with input power detection
- User-definable threshold levels
- Maintains switch state and RF channel on loss of power to card or frame
- Supports automatic or manual control via GPI or SNMP
- Switch state indication via GPO
- Card edge LEDs indicate active input channels, output channel and power levels below threshold
- Passes DC LNB bias and 22KHz tone
- Fully hot-swappable from front of frame
- Comprehensive signal and card status monitoring via four digit card edge display or remotely through SNMP and VistaLINK® PRO
- VistaLINK® PRO capability is available with the 3RU 7800FR or 350FR portable frame and a 7800FC/7801FC/7700FC VistaLINK® frame controller module in Slot 1 of the frame



Specifications

RF Input/Output:	General Purpose Inputs:	General Purpose Outputs:
Inputs: 2	Number of Inputs: 2	Number of Outputs: 1
Outputs: 1	Type: Opto-isolated, active low with internal pull-ups to +5V	Type: "Dry contact" relay contacts — normally open and normally closed contact provided
Connector: 1 BNC per IEC 61169–8 Annex A (F-type and SMA optional)	Connector: 2 pins plus ground on 6-pin terminal strip	Connector: 3 pins on 6-pin terminal strip
I/O Impedance: 75Ω (50Ω optional)	Signal Level:	Electrical:
Frequency Response: 1–2250MHz: < ±1dB	+5V Pullup: Low: –5 to +2.5V DC, High: 3.5 to 10V DC	Voltage: +12V DC
Insertion Loss: 1–2250MHz: < 2dB	+12V Pullup: Low: –5 to +9.5V DC, High: 10.5 to 15V DC	Power: 4W
Return Loss: > 7dB	Max Sink Current: 15mA (input shorted to ground)	Physical (number of slots):
Isolation: > 45dB	Max Leakage Current for Input High: 200µA	350FR: 1
Input Power Range: 0dBm to –50dBm		7700FR–C: 1
		7800FR: 1
		7801FR: 1

Ordering Information

7703BPX-DC-RF	2x1 RF protection switch for L-Band frequencies, with VistaLINK® PRO monitoring
7703BPX-DC-RF-B50	2x1 RF protection switch for L-Band frequencies, 50Ω BNC connectors with VistaLINK® PRO monitoring
7703BPX-DC-RF-S50	2x1 RF protection switch for L-Band frequencies, 50Ω SMA connectors with VistaLINK® PRO monitoring

Rear Plate Suffix:
+3RU 3RU rear plate for 350FR, 7700FR–C or 7800FR multiframe
+1RU 1RU rear plate for 7701FR multiframe
+SA Standalone enclosure rear plate

Connector Suffix:
+F75 75Ω F-Type rear connector

Enclosures:
350FR 3RU portable multiframe, holds up to 7x single-slot modules
7700FR–C 3RU multiframe, holds up to 15x single-slot modules
7800FR 3RU multiframe, holds up to 15x single-slot modules
7801FR 1RU multiframe, holds up to 4x single- or 2x dual-slot modules
7701FR 1RU multiframe, holds up to 3x single- or dual-slot modules
S7701FR Standalone enclosure

Ordering Options: rear plate and optional connector type must be specified at time of order, eg: Model +3RU — if 75Ω F-type connector required, order optional +F75.

Accessories:
7800FC 3RU multiframe controller (necessary for 3RU SNMP control)
7801FC 1RU multiframe controller (necessary for 1RU SNMP control)