

7706CWDM

Compact Form Factor Coarse WDM Optical Modules

► Features & Benefits

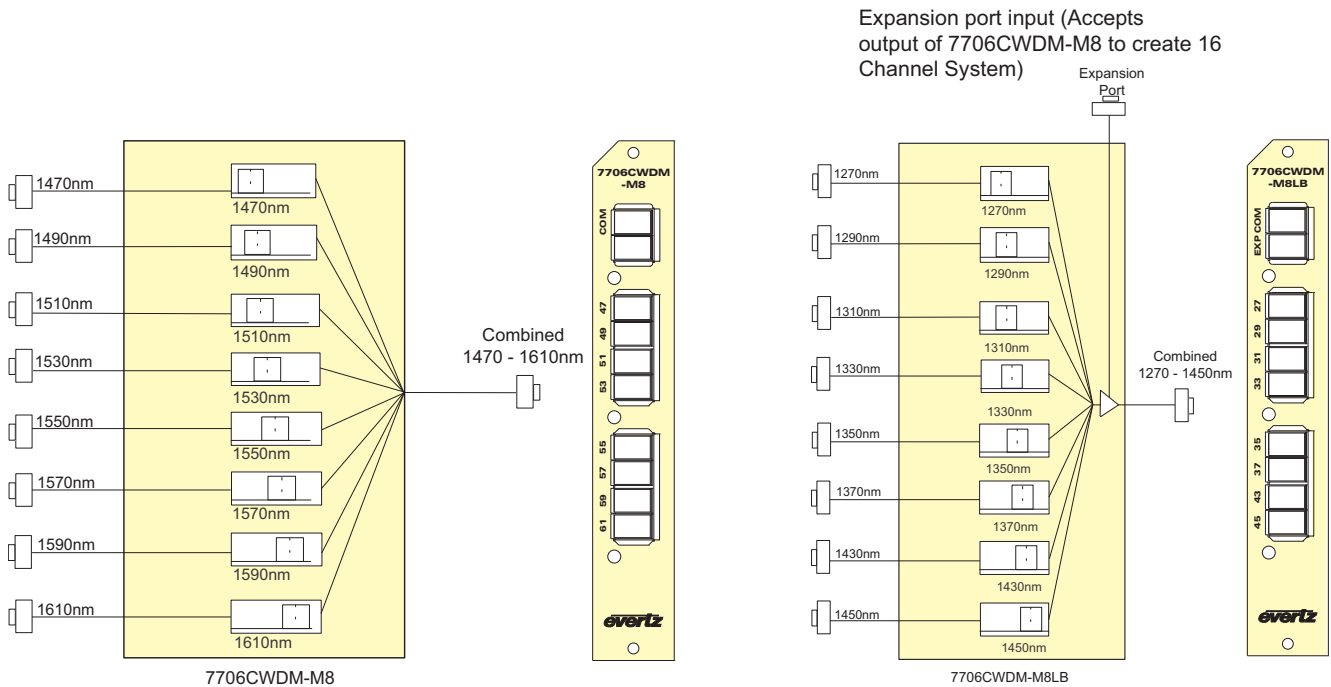
- Bi-directional mux/demux of up to 16 wavelengths in the 1270nm to 1610nm spectrum (ITU-T G.694.2 compliant)
- Expandable from 8 to 16 channel systems
- Passive design for any bit rate
- Low insertion loss to conserve system power
- High optical isolation for low crosstalk
- Compatible with all Evertz series CWDM Mux and Demux (3400CWDM, 3405CWDM, 7705CWDM)
- Compact design occupies only one slot in an Evertz 7700/7800 frame per card module
- LC/UPC and LC/APC connector options
- Fiber protector to prevent connector damage

*7706CWDM to be used ONLY in Single Mode Fiber applications

Applications

- Multi-channel transport of video, audio, data, control in fiber limited applications
- Cost reduction exercises through fewer leased fibers
- Studio and Facility extension/expansion
- STL and TSL links
- Signal aggregation for outdoor and event coverage
- Signal aggregation for security and monitoring

| Function | Ordering Information | Description | Slots Occupied |
|-----------------------|-----------------------------|---------------------------------------|----------------|
| 8 Channel CWDM Mux | 7706CWDM-M8 | 8 Channel CWDM Mux (1470nm-1610nm) | 1 |
| 8 Channel CWDM Demux | 7706CWDM-D8 | 8 Channel CWDM Demux (1470nm-1610nm) | 1 |
| 16 Channel CWDM Mux | 7706CWDM-M8 & 7706CWDM-M8LB | 16 Channel CWDM Mux (1270nm-1610nm) | 2 |
| 16 Channel CWDM Demux | 7706CWDM-D8 & 7706CWDM-D8LB | 16 Channel CWDM Demux (1270nm-1610nm) | 2 |



The Complete Solution Provider



► Specifications

| Optical Input/Output: | | Link Loss with Mux and Demux Combination: | | Physical (number of slots) 350FR,7700FR-C & 7800FR: | |
|-----------------------------|---------------------------------|---|-------------------------|---|---|
| Connector: | LC/UPC or LC/APC female housing | 7706CWDM-8: | < 3dB Maximum Loss | 7705CWDM-D8: | 1 |
| Wavelength: | | 7706CWDM-8LB: | < 3dB Maximum Loss | 7706CWDM-D8LB: | 1 |
| 7706CWDM-8: | 1470-1610nm | Expansion Port: | < 3dB Maximum Loss | 7706CWDM-M8: | 1 |
| 7706CWDM-8LB: | 1270-1450nm | 7706CWDM-8 + 7706CWDM-8LB: | | 7706CWDM-M8LB: | 1 |
| Channel Spacing: | 20nm | | < 3dB (1270nm - 1450nm) | | |
| Passband @ 0.5dB: | > 13nm | | < 6dB (1470nm - 1610nm) | | |
| Channel Uniformity: | < 1.5dB | | | | |
| Isolation Adjacent Channel: | | | | | |
| | > 30dB | | | | |
| Directivity: | > 50dB | | | | |
| Fiber Size: | 9µm core/125µm overall | | | | |
| Return Loss: | > 45dB | | | | |

► Ordering Information

| | |
|-------------------------|--|
| 7706CWDM-M8 | 8 Channel High Band CWDM Mux (1470nm – 1610nm), LC/UPC |
| 7706CWDM-M8LB | 8 Channel Low Band CWDM Mux (1270 - 1450nm), LC/UPC |
| 7706CWDM-D8 | 8 Channel High Band CWDM Demux (1470nm – 1610nm), LC/UPC |
| 7706CWDM-D8LB | 8 Channel Low Band CWDM Demux (1270 - 1450nm), LC/UPC |
| 7706CWDM-M8-AP | 8 Channel High Band CWDM Mux (1470nm – 1610nm), LC/APC |
| 7706CWDM-M8LB-AP | 8 Channel Low Band CWDM Mux (1270 - 1450nm), LC/APC |
| 7706CWDM-D8-AP | 8 Channel High Band CWDM Demux (1470nm – 1610nm), LC/APC |
| 7706CWDM-D8LB-AP | 8 Channel Low Band CWDM Demux (1270 - 1450nm), LC/APC |

Rear Plate Suffix

+3RU 3RU Rear Plate for use with 350FR, 7700FR-C or 7800FR Multiframe

Fiber Optic Patch Cable

See CWDM & DWDM Ordering Information Page

Enclosures

350FR 3RU Portable Multiframe which holds up to 7 single slot modules
7700FR-C 3RU Multiframe which holds up to 15 single slot modules
7800FR 3RU Multiframe which holds up to 15 single slot modules
7801FR 1RU Multiframe which holds up to 4 single or 2 dual slot modules

Ordering Options Rear Plate and Fiber Connector must be specified at time of order (Eg: Model +3RU)