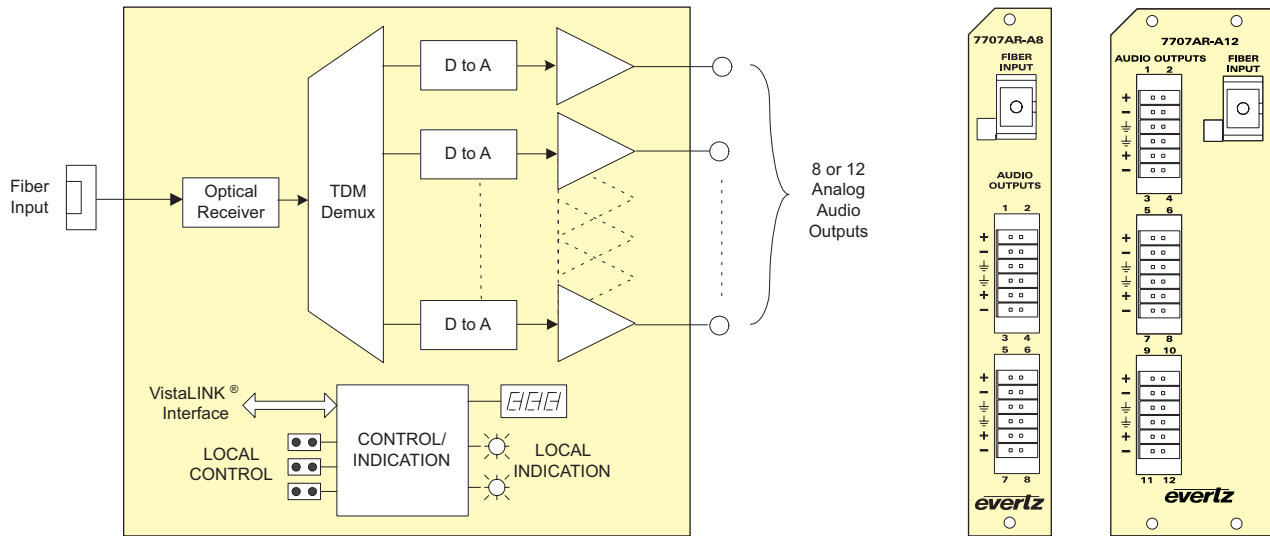


### ► Features & Benefits

- Eight or twelve professional quality analog audio fiber optic receiver
- Adjustable audio detection for each channel
- Adjustable audio gain for each channel
- Audio monitoring via card-edge headphone jack
- All configuration settings controllable through the card-edge interface, or remotely through SNMP and VistaLINK®
- Wide-band optical input compatible with 1310nm, 1550nm, CWDM, or DWDM transmission wavelengths
- Supports single-mode and multi-mode fiber optic cable (contact factory for multi-mode applications)
- SC/PC, ST/PC, or FC/PC fiber connector options
- Fully hot-swappable from front of frame
- Comprehensive signal and card status monitoring via four digit card edge display or remotely through SNMP and VistaLINK®
- VistaLINK® capability is available when modules are used with the 3RU 7800FR or 350FR frame and a 7700FC VistaLINK® Frame Controller module in slot 1 of the frame



### ► Specifications

<p><b>Analog Audio Outputs:</b>                  Number of Outputs:                  7707AR-A8: 8                  7707AR-A12: 12                  Connectors: Multi-pin Removable Terminal Blocks                  Output Level:                  Into High Impedance: +24dBu (max)                  Into 600Ω: +23dBu (max)                  Frequency Response: ±0.1dB (max, 20Hz to 20kHz)                  THD + Noise: -90dB or 0.003% (max, 20Hz to 20kHz, @ 0dBFS)                  Crosstalk: -100dB (max, 20Hz to 20kHz, measured channel connected at input)</p>	<p>S/N Ratio: 100dB (min)                  Channel Phase: ±0.5° (max, 20Hz to 20kHz)                  Output Impedance: 66Ω (nom, differential)                  Adjustable Gain: -10dB to +10dB (0.5dB increments)</p> <p><b>Optical Input:</b>                  Connector: SC/PC, ST/PC, FC/PC female housing                  Input Wavelength: 1270 to 1610nm                  Input Power (Max): 0dBm                  Input Optical Sensitivity: -28dBm</p>	<p><b>Electrical:</b>                  Voltage: 12V DC                  Power:                  7707AR-A8: 13.5W (max)                  7707AR-A12: 18.5W (max)                  EMI/RFI: Complies with FCC Part 15, Class A                  EU EMC Directive</p> <p><b>Physical (number of slots):</b>                  350FR, 7700FR-C, 7800FR                  7707AR-A8: 1 slot                  7707AR-A12: 2 slots                  7701FR: 1 slot</p>
---	---	---

### ► Ordering Information

<b>7707AR-A8</b>	Eight Channel Analog Audio Fiber Receiver, Demux VistaLINK® Monitoring
<b>7707AR-A12</b>	Twelve Channel Analog Audio Fiber Receiver, Demux VistaLINK® Monitoring

**Connector Suffix**

<b>+SC</b>	SC/PC
<b>+ST</b>	ST/PC
<b>+FC</b>	FC/PC

**Ordering Options** Rear Plate and Fiber Connector must be specified at time of order  
 Eg: Model +SC +3RU

**Accessories**  
**Fiber Optic Patch Cable**  
 See CWDM & DWDM Ordering Information Page

**Rear Plate Suffix**

<b>+3RU</b>	3RU Rear Plate for use with 350FR, 7700FR-C or 7800FR Multiframe
<b>+1RU</b>	1RU Rear Plate for use with 7701FR Multiframe
<b>+SA</b>	Standalone Enclosure Rear Plate

**Enclosures**

<b>350FR</b>	3RU Portable Multiframe which holds up to 7 single slot modules
<b>7700FR-C</b>	3RU Multiframe which holds up to 15 single slot modules
<b>7800FR</b>	3RU Multiframe which holds up to 15 single slot modules
<b>7801FR</b>	1RU Multiframe which holds up to 4 single or 2 dual slot modules
<b>7701FR</b>	1RU Multiframe which holds up to 3 single or dual slot modules
<b>S7701FR</b>	Standalone Enclosure