

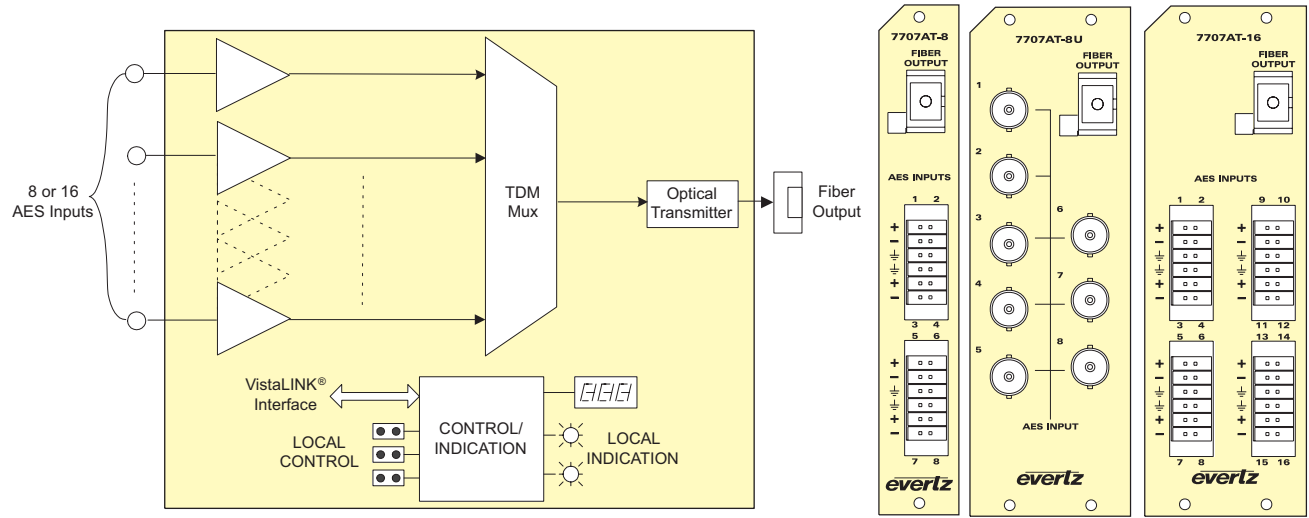
7707AT-8, 7707AT-8U, 7707AT-16

8/16 Channel AES Audio Fiber Transmitter Mux



►Features & Benefits

- Eight or sixteen AES audio fiber optic transmitter
- Dolby-E® compatible
- 7707AT-8 and 7707AT-16 versions provide interface to balanced or unbalanced signals
- 7707AT-8U version provides interface to unbalanced signals via BNC connections
- AES audio sample rate detection is provided independently for each channel
- Audio monitoring via card-edge headphone jack with adjustable volume
- All configuration settings are controllable through the card-edge user interface, or remotely through SNMP and VistaLINK®
- DWDM wavelengths also available (ITU-T G.694.1 compliant)
- Optical output wavelengths of 1310nm, 1550nm, and up to sixteen CWDM wavelengths (ITU-T G.694.2 compliant)
- Supports single-mode and multi-mode fiber optic cable (contact factory for multi-mode applications)
- SC/PC, ST/PC, or FC/PC fiber connector options
- Fully hot-swappable from front of frame
- Comprehensive signal and card status monitoring via four digit card edge display or remotely through SNMP and VistaLINK®
- VistaLINK® capability is available when modules are used with the 3RU 7800FR or 350FR portable frame and a 7700FC VistaLINK® Frame Controller module in slot 1 of the frame



►Specifications

AES Audio Inputs: Standard: 7707AT-8U: SMPTE 276M - Unbalanced AES, Dolby-E® compatible 7707AT-8/16: AES3-1992, Balanced or Unbalanced (selectable), Dolby-E® compatible Number of Inputs: 7707AT-8/8U - 8 7707AT-16 - 16 Connectors: 7707AT-8U: 1 BNC per IEC 61169-8 Annex A 7707AT-8/16: Multi-pin Removable Terminal Blocks Input Sample Rate: 32kHz to 48kHz Input Impedance: Unbalanced: 75Ω Balanced: 110Ω Input Return Loss: > 15dB Input Amplitude (max): Unbalanced: 1.2V p-p Balanced: 7V p-p Input Amplitude (min): Unbalanced: 320mV p-p	Balanced: 200mV p-p Cable Equalization (max): Unbalanced: 450m (≈1900ft) of Belden 1694A cable Balanced: 1500m (≈4900ft) of Belden 1800B cable Optical Output: Connector: SC/PC, ST/PC, FC/PC female housing Output Wavelengths: See Ordering Information Output Power: 1310nm FP (Standard): -7dBm ±1dBm 0dBm ±1dBm CWDM DFB: DWDM DFB: +7dBm ±1dBm Electrical: Voltage: 12V DC Power: 7707AT-8/8U: 6W (Non DWDM) or 9W (DWDM) 7707AT-16: 8W (Non DWDM) or 11W (DWDM)	Physical (number of slots): 350, 7700FR-C, 7800 Frame: 7707AT-8U: 2 slots 7707AT-8: 1 slot 7707AT-16: 2 slots Compliance: Laser Safety: Class 1 laser product Complies with 24 CFR 1040.10 and 1040.11 IEC 60825-1 Complies with FCC Part 15, Class A EU EMC Directive EMI/RFI:
---	---	--

►Ordering Information

7707AT13-8	Eight channel AES Audio Fiber Transmitter Mux, 1310nm FP, VistaLINK®
7707AT13-8U	Eight channel AES Unbalanced Audio Fiber Transmitter Mux, 1310nm FP, VistaLINK®, AES on BNCs
7707AT13-16	Sixteen channel AES Audio Fiber Transmitter Mux, 1310nm FP, VistaLINK®
7707AT15-8	Eight channel AES Audio Fiber Transmitter Mux, 1550nm DFB, VistaLINK®
7707AT15-8U	Eight channel AES Unbalanced Audio Fiber Transmitter Mux, 1550nm DFB, VistaLINK®
7707AT15-16	Sixteen channel AES Audio Fiber Transmitter Mux, 1550nm DFB, VistaLINK®
<i>For CWDM, please refer to the end of the fiber section for ordering information</i>	
7707ATxx-8	Eight channel AES Audio Fiber Transmitter Mux, CWDM wavelength, VistaLINK®
7707ATxx-8U	Eight channel AES Unbalanced Audio Fiber Transmitter Mux, CWDM wavelength, VistaLINK®
7707ATxx-16	Sixteen channel AES Audio Fiber Transmitter Mux, CWDM wavelength, VistaLINK®
<i>For DWDM, please refer to the end of the fiber section for ordering information</i>	
7707ATDxxx-8	Eight channel AES Audio Fiber Transmitter Mux, DWDM wavelength, VistaLINK®
7707ATDxxx-8U	Eight channel AES Unbalanced Audio Fiber Transmitter Mux, DWDM wavelength, VistaLINK®
7707ATDxxx-16	Sixteen channel AES Audio Fiber Transmitter Mux, DWDM wavelength, VistaLINK®

Ordering Options	Rear Plate and Fiber Connector must be specified at time of order Eg: Model +SC +3RU
Rear Plate Suffix	
+3RU	3RU Rear Plate for use with 350FR, 7700FR-C or 7800FR Multiframe
+1RU	1RU Rear Plate for use with 7701FR Multiframe
+SA	Standalone Enclosure Rear Plate
Connector Suffix	
+SC	SC/PC
+ST	ST/PC
+FC	FC/PC
Enclosures	
350FR	3RU Portable Multiframe which holds up to 7 single slot modules
7700FR-C	3RU Multiframe which holds up to 15 single slot modules
7800FR	3RU Multiframe which holds up to 15 single slot modules
7801FR	1RU Multiframe which holds up to 4 single or 2 dual slot modules
7701FR	1RU Multiframe which holds up to 3 single or dual slot modules
S7701FR	Standalone Enclosure

everiz The Complete Solution Provider