

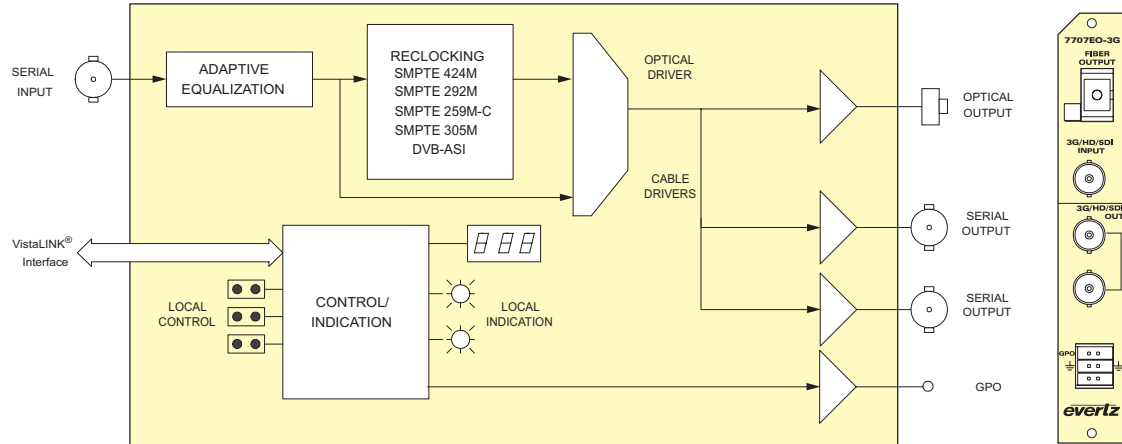
7707EO-3G

3G/HD/SD Electrical to Optical Converter



Features & Benefits

- Supports all SMPTE ST 424M standards at 2.970Gb/s
- Supports all SMPTE ST 292-1 standards at 1.485Gb/s
- Supports SMPTE ST 259-C standards at 270Mb/s
- Supports DVB-ASI (270Mb/s) and SMPTE ST 305M (SDTi) rates
- Auto rate selection, indication and reclocking for SD-SDI/HD/3G data rates from 270Mb/s to 2.970Gb/s
- Selectable non-reclock mode for other data rates
- Programmable general purpose output (GPO)
- Automatic input equalization up to 100m to 1.5Gb/s, 250m to 270Mb/s and 70m to 3Gb/s
- Optical output wavelengths of 1550nm and up to sixteen CWDM wavelengths (ITU-T G.694.2 compliant)
- Supports single-mode and multi-mode fiber optic cable (contact factory for multi-mode applications)
- Fully hot-swappable from front of frame
- Comprehensive signal and card status monitoring via four-digit card edge display or remotely through SNMP and VistaLINK® PRO
- VistaLINK® capability is available when modules are used with a 3RU frame and a 7700FC VistaLINK® frame controller module in Slot 1 of the frame
- Occupies one card slot and can be housed in either a 1RU frame that holds up to three modules, a 3RU frame that holds up to 15x modules, or a standalone enclosure, which holds one module



Specifications

Serial Video Input:		Overshoot:	< 10% of amplitude	Electrical:	
Standards:		Return Loss:	> 15dB to 1.5GHz > 10dB to 3GHz	Voltage:	+12V DC
Reclocked:		Alignment Jitter:	< 0.2 UI (Reclocked) to 1.485Gb/s < 0.3 UI (Reclocked) to 2.97Gb/s	Power:	8W
Non-Reclocked:		Optical Output:		EMI/RFI:	Complies with FCC Part 15, Class A EU EMC Directive
Connector:		Standard:	SMPTE ST 297M	Physical (Number of Slots):	
Equalization:		Number of Outputs:	1	350FR:	1
Return Loss:		Connector:	Female SC/PC, ST/PC or FC/PC	7700FR-C:	1
		Return Loss:	> 14dB	7800FR:	1
		Rise and Fall Time:	< 135ps (HD/3G) < 900ps (SD)	Compliance:	
		Alignment Jitter:	< 0.2 UI (Reclocked) to 1.485 Gb/s < 0.3 UI (Reclocked) to 2.97Gb/s	Electrical Safety:	CSA Listed to UL 60065-03, IEC 60065 Complies with CE low voltage Directive Class 1 laser product Complies with 24 CFR 1040.10 and 1040.11 IEC 60825-1
		Wavelengths:	See <i>Ordering Information</i>	Laser Safety:	Complies with FCC Part 15, Class A EU EMC directive
		Output Power:	0dBm ± 1dBm	EMI/RFI:	
Serial Video Outputs:		General Purpose Outputs:			
Number of Outputs:		Type:	Dry contact relay closure (normally open)		
Connector:		Number of Outputs:	1		
Signal Level:		Connector:	Multi-pin removable terminal block		
DC Offset:		Max. Current:	500mA @ 12V		
Rise and Fall Time:					

Ordering Information

7707EOxx-3G 3G/HD/SD electrical to optical converter, CWDM DFB laser

Ordering Options: rear plate and fiber connector must be specified at time of order (eg: Model +SC +3RU)

Rear Plate Suffix:
+3RU 3RU rear plate for 350FR, 7700FR-C or 7800FR multiframe
+1RU 1RU rear plate for use with 7701FR multiframe
+SA Standalone enclosure rear plate

Connector Suffix:
+SC SC/PC
+ST ST/PC
+FC FC/PC

Accessories:
Fiber Optic Patch Cable
 See *CWDM Ordering Information page*

Enclosures:
350FR 3RU portable multiframe, holds up to 7x single-slot modules
7700FR-C 3RU multiframe, holds up to 15x single-slot modules
7701FR 1RU multiframe, holds up to 3x single- or dual-slot modules
7800FR 3RU multiframe, holds up to 15x single-slot modules
7801FR 1RU multiframe, holds up to 4x single- or 2x dual-slot modules
S7701FR Standalone enclosure