

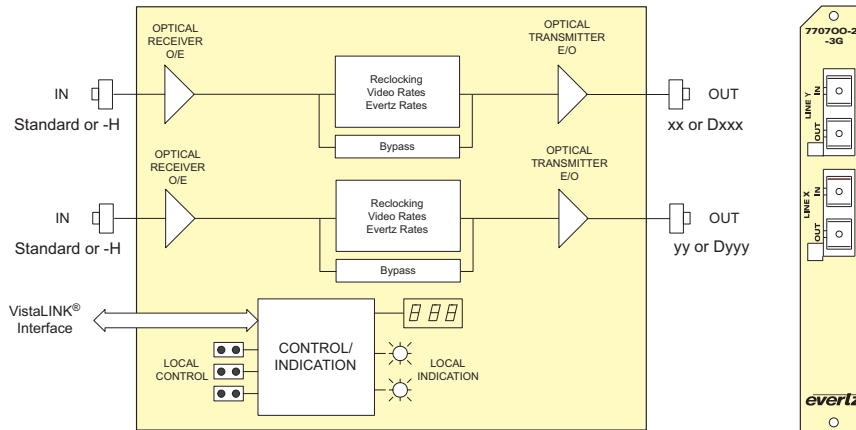


The 770700-2L-3G is a VistaLINK® -capable, optical to optical wavelength shifter/regenerator for Video & Evertz® proprietary signals. Monitoring and control of card status and parameters is provided locally at the card edge and remotely via VistaLINK®.

The 770700-2L-3G accepts two fiber inputs and provides two optical outputs respectively. All versions accept 1270nm to 1610nm optical input signals on multi-mode or single-mode fiber. The 770700-2L-3G is available in 1310nm, CWDM and DWDM configurations.

►Features & Benefits

- See below chart for Reclocking Rates
- Non-reclocking mode for support of additional signal rates (125Mb/s-3.187Gb/s)
- Wide range optical input (1270nm-1610nm)
- 1310nm and CWDM wavelengths available for optical outputs
- DWDM wavelengths (ITU-T G.694.1 compliant) also available for optical outputs
- Comprehensive signal and card status monitoring via four digit card edge display or remotely through SNMP and VistaLINK®
- Detection and display of optical input power and data rate
- Fully hot-swappable from front of frame
- VistaLINK® capability is available when modules are used with the 3RU 7800FR or 350FR frame and a 7700FC VistaLINK® Frame Controller module in slot 1 of the frame



►Specifications

Video Rates		Wavelength: 1270nm-1610nm Optical Sensitivity	Output Power: 1310nm FP: -6dBm ± 1dBm CWDM: ± 1dBm ± 1dBm DWDM: +7dBm ± 1dBm
SMPTE ST 259-L	270Mb/s		
ST 292-1	1.5Gb/s	Max. Input Power: Standard & Equipment Side: -1dBm High Sensitivity (-H): -7dBm	Laser Safety: Class 1 laser product Complies with 24 CFR 1040.10 and 1040.11 IEC 60825-1
DVB ASI	270Mb/s	Fiber Size: 62µm core/125µm overall	EMI/RFI: Complies with FCC regulations for class A devices Complies with EU EMC
SMPTE 305M	270Mb/s	Optical Outputs: Standards: Same as optical input Number of Outputs: 2	Physical (number of slots): 350FR: 1 7700FR-C: 1
SMPTE 424M	2.970Mb/s	Connector: SC/PC, ST/PC, FC/PC, SC/APC female housing	
Evertz® Rates		Return Loss: <14dB	
7707VT8	2.5Gb/s	Fiber Size: 9µm core/125µm overall	
G-LINK	2.5Gb/s	Line X/Line Y: Standard: 1310nm	
7707VT2-HD	3.125Gb/s	CWDM: 1270nm to 1610nm (See ordering information)	
7707VT4-HS	3.125Gb/s	DWDM: C-Band/L-Band (ITU-T G.694.1 compliant)	

Standards (relocked):
Optical Inputs:
Number of Inputs: 2
Rates (non-relocked): 125Mb/s-3.187Gb/s
Connector: Female SC/PC, ST/PC, FC/PC, SC/APC

►Ordering Information

77070013-2L-3G Dual Optical to Optical Wavelength Shifter/Regenerator, 1310nm FP laser standard receiver, VistaLINK®	Ordering Options Rear Plate and Fiber Connector must be specified at time of order (Eg: Model +SC +3RU)
<i>For CWDM applications please refer to the end of the fiber section for details</i>	
770700xx/yy-2L-3G Dual Optical to Optical Wavelength Shifter/Regenerator, CWDM DFB laser, standard receiver, VistaLINK®	Connector Suffix +SC SC/PC +ST ST/PC
770700xx/yy-2L-3G-H Dual Optical to Optical Wavelength Shifter/Regenerator, CWDM DFB laser, high sensitivity receiver, VistaLINK®	Rear Plate Suffix +3RU 3RU Rear Plate for use with 350FR, 7700FR-C or 7800FR Multiframe +1RU 1RU Rear Plate for use with 7701FR Multiframe +SA Standalone Enclosure Rear Plate
<i>For DWDM applications please refer to the end of the fiber section for details</i>	
770700Dxxx/Dyyy-2L-3G Dual Optical to Optical Wavelength Shifter/Regenerator, DWDM laser, standard receiver, VistaLINK®	Enclosures 350FR 3RU Portable Multiframe which holds up to 7 single slot modules 7700FR-C 3RU Multiframe which holds up to 15 single slot modules 7800FR 3RU Multiframe which holds up to 15 single slot modules 7801FR 1RU Multiframe which holds up to 4 single or 2 dual slot modules 7701FR 1RU Multiframe which holds up to 3 single or dual slot modules S7701FR Standalone Enclosure
770700Dxxx/Dyyy-2L-3G-H Dual Optical to Optical Wavelength Shifter/Regenerator, DWDM laser, high sensitivity receiver, VistaLINK®	