

7707VAR-3G

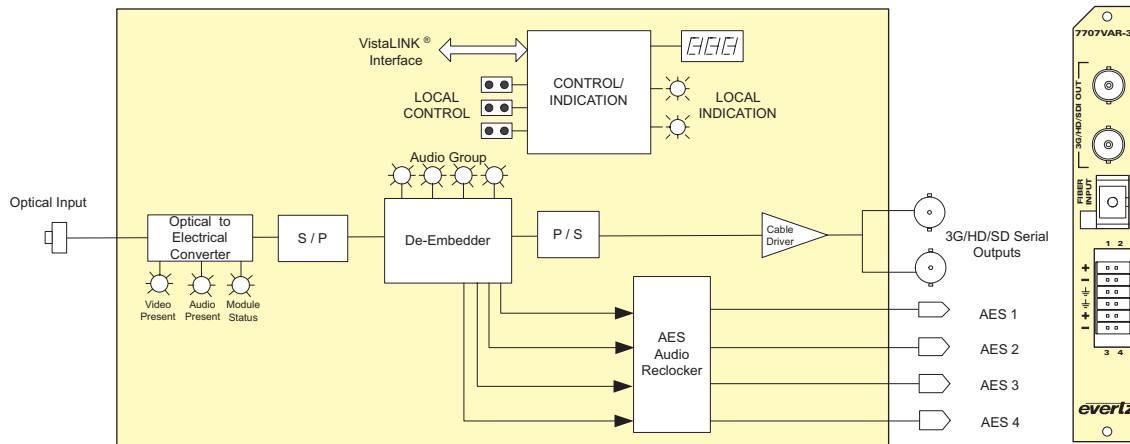
3G/HD/SD with 4 AES Audio Fiber Receiver

The 7707VAR-3G is a VistaLINK®-capable fiber optic receiver for 3G, HDTV or SDTV video and AES audio signals. This single card module outputs one 3G, HD-SDI or SD-SDI video plus four AES audio signals that have been transmitted by the companion 7707VAT-3G fiber optic transmitter.

The 7707VAR-3G occupies one card slot and can be housed in a 1RU frame that will hold up to 3 modules, a 3RU frame that will hold up to 15 modules, a 350FR portable frame that will hold up to 7 modules or a standalone enclosure which holds 1 module.

►Features & Benefits

- Supports SMPTE 424M formats
- Supports HDTV video formats @ 1.485Gb/s
- Supports 525/625 line component 4:2:2 SDI @ 270Mb/s
- Provides up to four de-embedded AES audio outputs
- Dolby-E® compatible
- Local display of optical signal strength, video and audio presence, video and AES formats
- Fully hot-swappable from front of frame
- Comprehensive signal and card status monitoring via four digit card edge display or remotely through SNMP and VistaLINK®
- VistaLINK® capability is available when modules are used with the 3RU 7800FR or 350FR portable frame and a 7700FC VistaLINK® Frame Controller module in slot 1 of the frame
- Supports single-mode and multi-mode fiber optic cable (contact factory for multi-mode applications)
- Accepts any wavelength in the 1270nm to 1610nm range



►Specifications

| | | |
|--|--|--|
| Optical Input: Number of Inputs: 1 Connector: Female SC/PC, ST/PC, FC/PC Return Loss: > 25dB Operating Wavelength: 1270nm to 1610nm Maximum Input Power: Standard: -1dBm High Sensitivity -H version: -7dBm Optical Sensitivity: Standard: -23dBm High Sensitivity -H version: -28dBm | DC Offset: 0V ±0.5V Rise and Fall Time: < 270ps for HDSDI, < 900ps for SDI Overshoot: < 10% of amplitude Return Loss: > 15dB up to 1.485Gb/s High Freq. Jitter: < 0.2 UI to 1.5G | Return Loss: > 15dB, from 1MHz to 6MHz Wideband Jitter: < 10ns p-p, with conditions of minimum to maximum cable length |
| Serial Video Outputs: Number of Outputs: 2 regenerated Standard: SMPTE 424M, SMPTE 292M, SMPTE 259M-C, SMPTE 305M (SDTi), DVB-ASI (without separate audio) Connector: 1 BNC per IEC 61169-8 Annex A Signal Level: 800mV nominal | AES Audio Outputs: Number of Signals: 4 (user-selectable for balanced or unbalanced) Standards: AES3-2003 (Balanced AES), SMPTE 276M (Unbalanced AES) Connector: 12-pin terminal block Sampling Rate: 48kHz Resolution: Up to 24 bits Signal Level: Balanced: 1V p-p ±0.1V Unbalanced: 2V p-p ±0.1V Differential Rise/Fall Times: Balanced: 20ns ±5ns Unbalanced: 35ns ±5ns Impedance: Balanced: 110Ω Unbalanced: 75Ω | Electrical: Voltage: +12V DC Power: 11W Physical (number of slots): 350FR: 1 7700FR-C: 1 7800FR: 1 |

►Ordering Information

| | |
|---------------------|--|
| 7707VAR-3G | 3G/HD/SD with 4 AES Audio Fiber Receiver, VistaLINK® Monitoring |
| 7707VAR-3G-H | 3G/HD/SD with 4 AES Audio High Sensitivity Fiber Receiver, VistaLINK® Monitoring |

Fiber Optic Patch Cable
See CWDM & DWDM Ordering Information Page

Ordering Options Rear Plate and Fiber Connector must be specified at time of order
Eg: Model +SC +3RU

| | |
|--------------------------|--|
| Rear Plate Suffix | |
| +3RU | 3RU Rear Plate for use with 350FR, 7700FR-C or 7800FR Multiframe |
| +1RU | 1RU Rear Plate for use with 7701FR Multiframe |
| +SA | Standalone Enclosure Rear Plate |

| | |
|-------------------|--|
| Enclosures | |
| 350FR | 3RU Portable Multiframe which holds up to 7 single slot modules |
| 7700FR-C | 3RU Multiframe which holds up to 15 single slot modules |
| 7800FR | 3RU Multiframe which holds up to 15 single slot modules |
| 7801FR | 1RU Multiframe which holds up to 4 single or 2 dual slot modules |
| 7701FR | 1RU Multiframe which holds up to 3 single or dual slot modules |
| S7701FR | Standalone Enclosure |

| | |
|-------------------------|-------|
| Connector Suffix | |
| +SC | SC/PC |
| +ST | ST/PC |
| +FC | FC/PC |