

7707VAR-HD, 7707VAR-U-HD

HDTV with 4 AES Audio Fiber Receiver



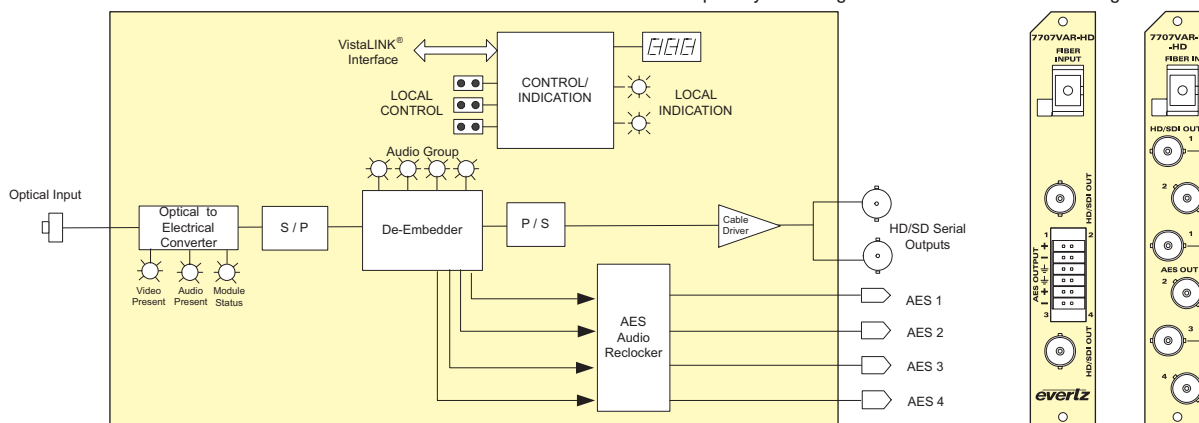
The 7707VAR-HD is a VistaLINK® -capable fiber optic receiver for HDTV or SDTV video and AES audio signals. This single card module outputs one HD-SDI or SD-SDI video plus four AES audio signals that have been transmitted by the companion 7707VAT-HD fiber optic transmitter.

The 7707VAR-HD occupies one card slot and can be housed in a 1RU frame that will hold up to 3 modules, a 3RU frame that will hold up to 15 modules, a 350FR portable frame that will hold up to 7 modules or a standalone enclosure which holds 1 module.

The 7707VAR-U-HD has unbalanced audio connections and is identical to the 7707VAR-HD in all other aspects.

► Features & Benefits

- Supports HDTV video formats @ 1.485Gb/s
- Supports 525/625 line component 4:2:2 SDI @ 270Mb/s
- Provides up to four de-embedded AES audio outputs
- Dolby-E® compatible
- Local display of optical signal strength, video and audio presence, video and AES formats
- Fully hot-swappable from front of frame
- Comprehensive signal and card status monitoring via four digit card edge display or remotely through SNMP and VistaLINK®
- VistaLINK® capability is available when modules are used with the 3RU 7800FR or 350FR portable frame and a 7700FC VistaLINK® Frame Controller module in slot 1 of the frame
- Supports single-mode and multi-mode fiber optic cable (contact factory for multi-mode applications)
- Accepts any wavelength in the 1270nm to 1610nm range



► Specifications

Optical Input:

Number of Inputs: 1
 Connector: Female SC/PC, ST/PC, FC/PC
 Return Loss: > 25dB
 Operating Wavelength: 1270nm to 1610nm

Maximum Input Power:

Standard: -1dBm
 -H version: -7dBm

Optical Sensitivity:

Standard: -23dBm
 -H version: -28dBm

Serial Video Outputs:

Number of Outputs: 2 regenerated
 Standard: SMPTE 292M, SMPTE 259M-C, SMPTE 305M (SDTi), DVB-ASI (without separate audio)
 Connector: 1 BNC per IEC 61169-8 Annex A
 Signal Level: 800mV nominal
 DC Offset: 0V ±0.5V
 Rise and Fall Time: < 270ps for HDSDI, < 900ps for SDI
 Overshoot: < 10% of amplitude
 Return Loss: > 15dB up to 1.485Gb/s
 Wide Band Jitter: < 0.2 UI

AES Audio Outputs:

Number of Signals: 4
 Standards: AES3-2003 (Balanced AES), SMPTE 276M (Unbalanced AES)
 Connector: 7707VAR-HD 12-pin removable terminal strip, 7707VAR-U-HD 1 BNC per IEC 61169-8 Annex A
 Sampling Rate: 48kHz
 Resolution: Up to 24 bits
 Signal Level: Balanced: 1V p-p ±0.1V, Unbalanced: 2V p-p ±0.1V Differential
 Rise/Fall Times: Balanced: 20ns ±5ns, Unbalanced: 35ns ±5ns
 Impedance: Balanced: 110Ω, Unbalanced: 75Ω
 Return Loss: > 15dB, from 1MHz to 6MHz
 Wideband Jitter: < 10ns p-p, with conditions of minimum to maximum cable length

Electrical:

Voltage: +12V DC
 Power: 11W

Compliance:

Laser Safety: Class 1 laser product, Complies with 24 CFR 1040.10 and 1040.11, IEC 60825-1
 EMI/RFI: Complies with FCC Part 15, Class A, EU EMC directive

Physical (number of slots):

350FR: 1
 7700FR-C: 1
 7800FR: 1

Transmitter Compatibility Chart:

MODEL #	SD-SDI	HD-SDI
2405/7705/7707EO	x	
2405/7705/7707EO-HD	x	x
7705/7707EO-3	x	
7705/7707EO-3-HD	x	x
7707ADV-T	x	
7707ADV-T-HD	x	x
7707VAT-HD	x	x
7707VAT-U-HD	x	x

► Ordering Information

7707VAR-HD	HDTV with 4 AES Audio Fiber Receiver, VistaLINK® Monitoring
7707VAR-U-HD	HDTV with 4 Unbalanced AES Audio Fiber Receiver, VistaLINK® Monitoring
7707VAR-HD-H	HDTV with 4 AES Audio High Sensitivity Fiber Receiver, VistaLINK® Monitoring
7707VAR-U-HD-H	HDTV with 4 Unbalanced AES Audio High Sensitivity Fiber Receiver, VistaLINK® Monitoring

Connector Suffix

+SC SC/PC
 +SCF SC/PC connector with flap cover
 +ST ST/PC
 +FC FC/PC

Accessories

Fiber Optic Patch Cable
 See CWDM & DWDM Ordering Information Page

Ordering Options

Rear Plate and Fiber Connector must be specified at time of order
 Eg: Model +SC +3RU

Rear Plate Suffix

+3RU 3RU Rear Plate for use with 350FR, 7700FR-C or 7800FR Multiframe
 +1RU 1RU Rear Plate for use with 7701FR Multiframe
 +SA Standalone Enclosure Rear Plate

Enclosures

350FR 3RU Portable Multiframe which holds up to 7 single slot modules
 7700FR-C 3RU Multiframe which holds up to 15 single slot modules
 7800FR 3RU Multiframe which holds up to 15 single slot modules
 7801FR 1RU Multiframe which holds up to 4 single or 2 dual slot modules
 7701FR 1RU Multiframe which holds up to 3 single or dual slot modules
 S7701FR Standalone Enclosure