

7707VAR, 7707VAR-U

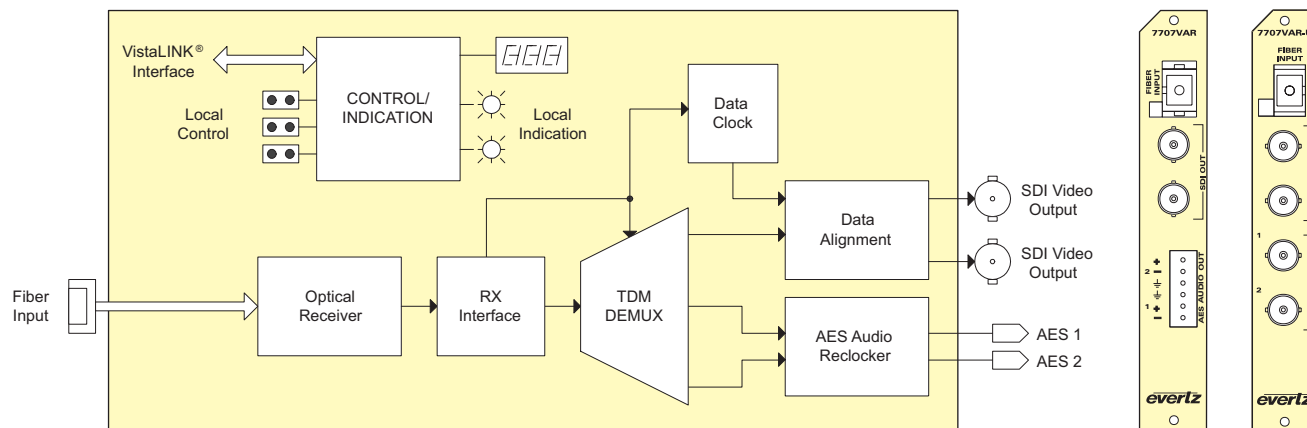
SDI with 2 AES Balanced or Unbalanced Audio Fiber Receiver



► Features & Benefits

- SDI video and 2 AES audio fiber optic receiver
- Supports 270Mb/s on 525 or 625 line 4:2:2 component SDI and SDTi (SMPTE 305M) video signals
- Supports 32kHz, 44.1kHz, 48kHz AES audio inputs
- Dolby-E® compatible
- Incorporates Evertz SoftSwitch™ (patented) technology for virtually glitch-free AES Audio outputs when upstream SDI or AES feeds are switched
- User-selectable SoftSwitch™ bypass
- Low Audio to Video latency
- Output AES "Mute" on loss of AES or fiber optic input signals
- SDI Video regeneration for jitter reduction
- Comprehensive signal and card status monitoring via four digit card edge display or remotely through SNMP and VistaLINK®

- Output Video "Black" or "Blue" (selectable) on loss of video or fiber optic input signals
- VistaLINK® capability is available when modules are used with the 3RU 7800FR or 350FR frame and a 7700FC VistaLINK® Frame Controller module in slot 1 of the frame
- Local display of optical signal strength, video and audio presence, video and AES formats, EDH errors
- Fully hot-swappable from front of frame with no fiber disconnect/reconnect required
- Supports single-mode and multi-mode fiber optic cable (contact factory for multi-mode applications)
- Accepts any wavelength in the 1270nm to 1610nm range
- Occupies one card slot and can be housed in either a 1RU frame which will hold up to 3 modules, a 3RU frame which will hold up to 15 modules, 3RU portable frame that holds up to 7 modules or a standalone frame which will hold 1 module



► Specifications

Optical Input:

Number of Inputs: 1
 Connector: Female SC/PC, ST/PC, FC/PC
 Return Loss: > 25dB
 Operating Wavelength: 1270nm to 1610nm
 Max. Input Power: 0dBm
 Optical Sensitivity: -28dBm

Serial Video Outputs:

Number of Outputs: 2 regenerated
 Standard: SMPTE 259M-C (525 or 625 line component) SMPTE 305M (SDTi)
 Connector: 1 BNC per IEC 61169-8 Annex A
 Signal Level: 800mV nominal
 DC Offset: 0V ±0.5V
 Rise and Fall Time: 900ps nominal
 Overshoot: < 10% of amplitude
 Return Loss: > 15dB at 270Mb/s
 Wide Band Jitter: < 0.15 UI

AES Audio Outputs:

Number of Outputs: 2 regenerated
 Standard: Jumper selectable for balanced or unbalanced output
 Unbalanced AES: SMPTE 276M
 Balanced AES: AES3-1992 balanced AES
 Connector: 7707VAR: 6-pin terminal strip
 7707VAR-U: 1 BNC per IEC 61169-8 Annex A
 Signal Level
 Unbalanced: 1V p-p
 Balanced: 5V p-p
 Resolution: up to 24 bits
 Sampling Rate: 32kHz, 44.1kHz, 48kHz
 Intrinsic Jitter: < 20ns
 Impedance: Unbalanced: 75Ω
 Balanced: 110Ω

System Performance (7707VAR + 7707VAR):

Video Input To Output Delay: < 1.5μs
 Audio to Video delay: < 1μs with SoftSwitch™ disabled
 < 2ms with SoftSwitch™ enabled

Electrical:

Voltage: +12V DC
 Power: 10W
 EMI/RFI: Complies with FCC Part 15, Class A
 EU EMC Directive

Physical (number of slots):

350FR: 1
 7700FR-C: 1
 7701FR: 1
 7800FR: 1

► Ordering Information

7707VAR	SDI with 2 Balanced AES Audio Fiber Receiver, VistaLINK® Monitoring
7707VAR-U	SDI with 2 Unbalanced AES Audio Fiber Receiver, VistaLINK® Monitoring

Fiber Optic Patch Cable
 See CWDM & DWDM Ordering Information Page

Ordering Options Rear Plate and Fiber Connector must be specified at time of order
 Eg: Model +SC +3RU

Rear Plate Suffix
+3RU 3RU Rear Plate for use with 350FR, 7700FR-C or 7800FR Multiframe
+1RU 1RU Rear Plate for use with 7701FR Multiframe
+SA Standalone Enclosure Rear Plate

Connector Suffix

+SC SC/PC
+ST ST/PC
+FC FC/PC

Enclosures

350FR 3RU Portable Multiframe which holds up to 7 single slot modules
7700FR-C 3RU Multiframe which holds up to 15 single slot modules
7800FR 3RU Multiframe which holds up to 15 single slot modules
7801FR 1RU Multiframe which holds up to 4 single or 2 dual slot modules
7701FR 1RU Multiframe which holds up to 3 single or dual slot modules
S7701FR Standalone Enclosure