

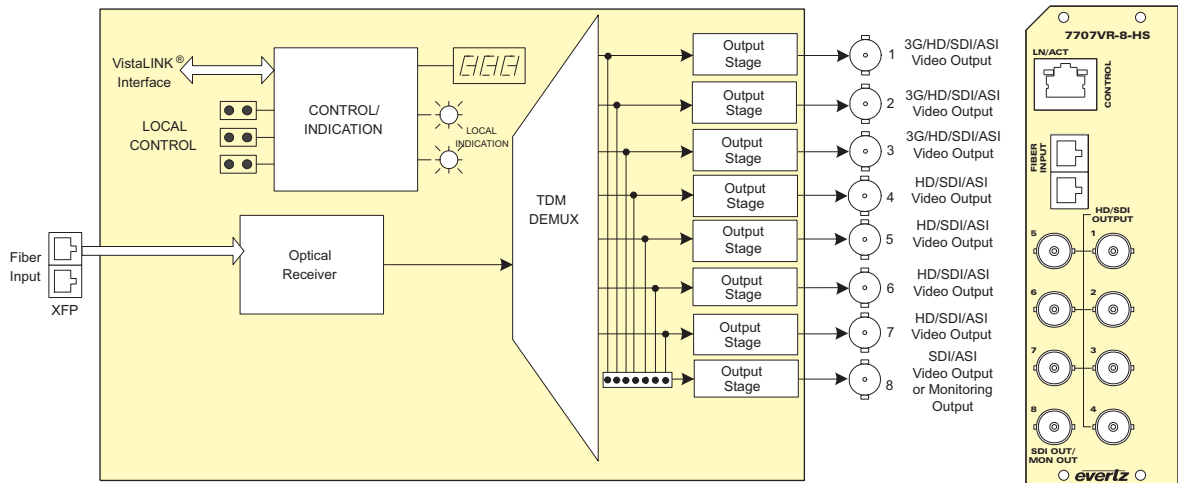
7707VR-8-HS

Eight 3G/HD/SDI/DVB-ASI Fiber Receiver



Features & Benefits

- Single card TDM multiplexer for 3, 3G-SDI, 7 HD-SDI or 8 SDI-SDI/DVB-ASI signals
- Independent signal outputs unaffected by loss of any other HD, SDI, SDTI or DVB-ASI input feed
- Transparently passes embedded AES or any other data in the horizontal or vertical ancillary data space
- Main module fully hot-swappable from front of frame
- Supports single-mode and fiber optic cable (contact factory for multi-mode applications)
- Monitoring output of any input
- Accepts any wavelength in the 1310nm to 1550nm range
- Female LC Duplex Connector
- Comprehensive signal and card status monitoring via four digit card edge display or remotely through SNMP and VistaLINK®
- VistaLINK® capability is available when modules are used with the 3RU 7700FR-C and 350FR frame and a 7700FC VistaLINK® Frame Controller module in slot 1 of the frame
- Occupies two card slots and can be housed in the 3RU 7800FR frame which can hold 7 cards, or the portable 3RU 350FR frame which can hold 3 cards.



Specifications

Optical Input:

Number of Inputs: 1
 Connector: Female LC Duplex
 Operating Wavelength: 1310nm to 1550nm
 Maximum Input Power:
 Standard (+S) Receiver: -1dBm
 High Sensitivity (+H) Receiver: -7dBm

Optical Sensitivity:

Standard (+S) Receiver: -14dBm
 High Sensitivity (+H) Receiver: -22dBm

Serial Video Outputs:

Number of Outputs: 8
 Standard: SMPTE 424M, ST 292-1, SMPTE 259M-C, DVB-ASI
 Connector: BNC per IEC 61169-8 Annex A
 Signal Level: 800mV nominal
 DC Offset: 0V ±0.5V
 Rise and Fall Time:
 1.485Gb/s: < 270ps
 270Mb/s: 900ps nominal
 Overshoot: < 10% of amplitude
 Return Loss: > 12dB to 1.5Gb/s
 Alignment Jitter: < 0.2 UI

Power & Distance:

	TRANSMITTER		RECEIVER	
	MIN	MAX	DISTANCE w/+S*	DISTANCE w/+H*
1310nm	-6dBm	-1dBm	10km	--
1550nm	-1dBm	+2dBm	40km	--
CWDM	+1dBm	+4dBm	40km	80km
DWDM	-1dBm	+2dBm	40km	80km

Serial Monitoring Output:

Number of outputs: 1 (dual purpose I/O from output 8)
 Connector: IEC 61169-8 Annex A

Electrical:

Voltage: +12V DC
 Power: 20W

Physical (Number of Slots):

7700FR-C: 2
 7800FR: 2
 7701FR: 2

*Note: The distance specified above are based on ideal conditions. Please contact the factory to verify actual conditions and infrastructure of your network before ordering.

The Complete Solution Provider





Ordering Information

7707VR-8-HS+NF	8x 3G/HD/SDI/DVB-ASI Fiber Receiver, VistaLINK® No fiber
7707VR-8-HS+S	8x 3G/HD/SDI/DVB-ASI Fiber Receiver, VistaLINK® Standard Sensitivity XFP
7707VR-8-HS+H	8x 3G/HD/SDI/DVB-ASI Fiber Receiver, VistaLINK® High Sensitivity XFP

Accessories

Fiber Optic Patch Cable

See CWDM & DWDM Ordering Information Page

Enclosures

- 350FR**
- 7700FR-C**
- 7800FR**
- 7801FR**

3RU Portable Multiframe which holds up to 7 single slot modules
 3RU Multiframe which holds up to 15 single slot modules
 3RU Multiframe which holds up to 15 single slot modules
 1RU Multiframe which holds up to 4 single or 2 dual slot modules

Ordering Options Rear Plate and Fiber Option must be specified at time of order
 Eg: Model +15+3RU, Model +C57+3RU

Rear Plate Suffix +3RU 3RU Rear Plate for use with 350FR, 7700FR-C or 7800FR Multiframe

Spare XFP Ordering Options

- XFPTR-13** Optical XFP Transmitter, 10Gbs, 1310nm
- XFPTR-15** Optical XFP Transmitter, 10Gbs, 1550nm
- XFPTR-S** Optical XFP Receiver, 10Gbs, Standard Sensitivity
- XFPTR-15H** Optical XFP Transceiver, 10Gb/s, High sensitivity, 1550nm
- XFPTR-Cxx** Optical XFP Transmitter, 10Gbs, CWDM
 Where xx=47 to 61 for CWDM wavelengths
- XFPTR-Dxxx** Optical XFP Transmitter, 10Gbs, DWDM
 Where xx=200 to 590 for DWDM wavelengths