

7708LRA, 7708LR-H

L-Band/Wideband RF Fiber Receiver Series

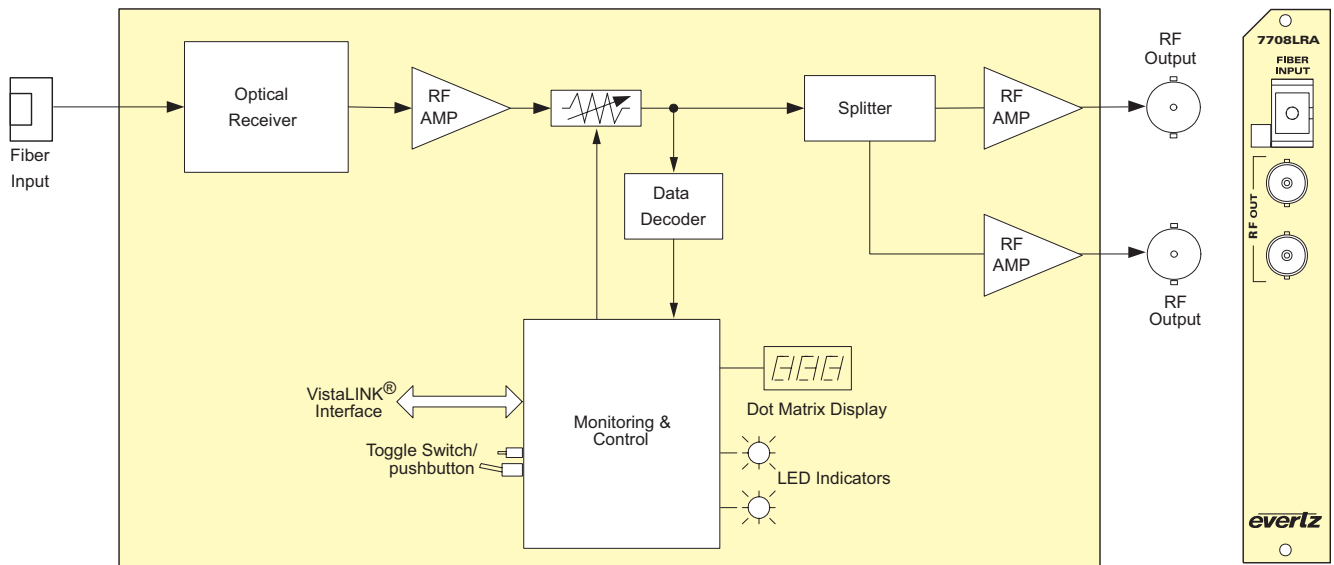


The 7708LRA/7708LR-H are VistaLINK®-capable fiber optic receivers for extended L-Band and other signals. They accept a fiber optic input from a companion transmitter and provide an electrical output signal. Monitoring and control of card status is provided locally at the card edge and remotely via VistaLINK®. SmartMON™ capability allows in-band monitoring data sent by a companion SmartMON™-enabled transmitter to be displayed locally or via SNMP/VistaLINK®.

The 7708LRA/7708LR-H occupies one card slot and can be housed in a 1RU frame that will hold up to four modules, a 3RU frame that will hold up to 15 modules, a 350FR portable frame that will hold up to seven modules or a standalone enclosure, which holds one module.

► Features & Benefits

- Protocol transparent — receives all video, audio and data modulation formats
- Supports manual, automatic (AGC), and intelligent (IGC) gain control modes
- IGC mode provides simple automatic compensation for fiber loss while output level tracks input level at SmartMON™-capable fiber transmitter
- Two buffered RF outputs for extra signal distribution or monitoring functions
- RF output independent of optical loss (within AGC/IGC gain range)
- Available with BNC, SMA or F-Type connector options
- Wide range optical input (1270–1610nm)
- Supports single-mode and multi-mode fiber optic cable (contact factory for multi-mode applications)
- Available with SC/UPC, ST/UPC, FC/UPC, SC/APC and FC/APC connector options
- Wide range adjustable gain in 0.5dB steps for fine-tuning signal levels
- 7708LR-H with high-sensitivity input for long-haul applications
- Fully hot-swappable from front of frame
- Comprehensive signal and card status monitoring via four digit card edge display or remotely through SNMP and VistaLINK®
- VistaLINK® capability is available when modules are used with the 3RU 7800FR or 350FR portable frame and a 7700FC VistaLINK® frame controller module in slot 1 of the frame
- SmartMON™ capability for display of monitored parameters from companion SmartMON™-capable fiber transmitters



► Specifications

<p>RF Outputs: Number of Outputs: 2 Connector: BNC per IEC 61169–8 Annex A (F-Type optional) I/O Impedance: 75Ω (50Ω optional) (see Ordering Information)</p> <p>Frequency Range: 7708LRA: 50MHz–3GHz 7708LR-H: 50MHz–2.3GHz</p> <p>Return Loss: 88MHz–2.3GHz: > 15dB 2.3–3GHz: > 12dB</p> <p>Output IP3: +28dBm</p> <p>IMD: < –55dBc at –3dBm output and 25dB gain</p> <p>Output Signal Level: Manual Gain: –10 to –65dBm (depending on input signal level, gain setting and optical loss)</p> <p>AGC Mode: –10 to –40dBm (adjustable, maintainable within available gain range)</p>	<p>Available Gain: 7708LRA: –10 to +31.5dB in 0.5dB steps 7708LR-H: –10 to +28dB in 0.5dB steps</p> <p>See System Performance Specifications of the chosen companion transmitter for more details.</p> <p>Optical Input: Number of inputs: 1 Connector: Female SC/UPC, ST/UPC, FC/UPC, SC/APC, FC/APC</p> <p>Operating Wavelength: 1270–1610nm</p> <p>Maximum Input Power: 7708LRA: +3dBm 7708LR-H: –7dBm</p> <p>Optical Sensitivity: 7708LRA: –14dBm @ 35dB S/N on a 36MHz carrier –20dBm @ 35dB S/N on a 36MHz carrier 7708LR-H: –20dBm @ 35dB S/N on a 36MHz carrier</p>	<p>10MHz Performance 7708T13–10MHz+7708R–10MHz pair: Manual Gain Range: –5 to +10dB Input Power Range: +10 to –40dBm OIP3: +29dB Harmonic Rejection: +60dB</p> <p>Electrical: Voltage: +12V DC Power: 6W EMI/RFI: Complies with FCC Part 15, Class A EU EMC directive</p> <p>Physical: Number of Slots: 1</p>
---	---	--

The Complete Solution Provider



► Ordering Information

7708LRA	L-Band/Wideband fiber receiver, SmartMON™, VistaLINK®
7708LR-H	High-Sensitivity L-Band fiber receiver, SmartMON™, VistaLINK®
7708R-10MHz	10MHz fiber receiver, standard sensitivity

Ordering Options: rear plate and fiber connector must be specified at time of order
(eg. model +3RU +SC)

Rear Plate Suffix:
+3RU 3RU rear plate for use with 7800FR or 7801FR multiframe

Enclosures:
7800FR 3RU multiframe, holds up to 15x single-slot modules
7801FR 1RU multiframe, holds up to 4x single-slot modules

Connector and Impedance Options:

Note: standard RF connectors are 75Ω BNC

RF Connectors:

+F75 75Ω F-Type connector
-B50 50Ω BNC connector
-S50 50Ω SMA connector

Fiber Connectors:

+SC SC/UPC
+AP+SC SC/APC (angle polished)
+FC FC/UPC
+AP+FC FC/APC (angle polished)

