

7708LT

L-Band/Wideband RF Fiber Transmitter Series

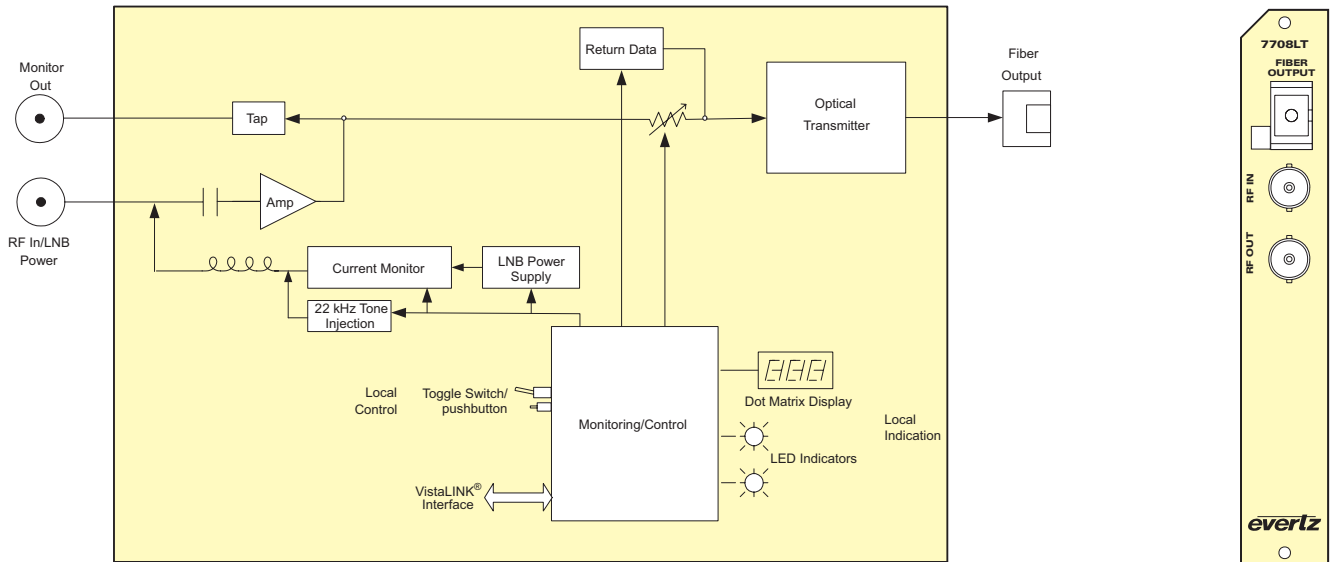


The 7708LT is a fiber optic transmitter for RF signals in the extended L-Band or wider frequency range. It accepts a single RF input on coaxial cable and provides a single output for optical transmission. An RF monitor output provides a convenient means of obtaining peak satellite signal strength, or additional signal distribution.

Gain may be adjusted manually or managed automatically via AGC. With SmartMON™, incoming RF signal strength, LNB current and other data are relayed over the fiber output for monitoring through SNMP/VistaLINK® (requires SmartMON™ capable companion fiber receiver) 13/18V DC adjustable LNB power with 22kHz tone is also provided.

► Features & Benefits

- Extended frequency response for extended L-Band, off-air DTV, and other signals
- Protocol independent design — transports all modulation formats
- LNB power with selectable 13/18V DC
- LNB current limit and short circuit protection
- LNB current monitoring for advance warning of LNB failure
- 22kHz tone on/off for LNB local oscillator control
- RF monitor output for signal peaking and signal distribution
- Manual gain and AGC modes
- Wide range adjustable gain in 0.5dB steps for fine tuning signal levels and optimizing CNR
- Available with 1310nm, CWDM (ITU-T G.694.2) and +11dBm high power DWDM (ITU-T G.694.1) laser options
- SmartMON™ capability provides remote status monitoring via SNMP without a separate data connection
- VistaLINK® capability is available for monitoring and control when modules are used in a 3RU 350FR, 7800FR frame and a 7700FC VistaLINK® frame controller is installed in Slot 1 of the frame
- Fiber link provides electrical isolation between antenna and facility, mitigating ground loop and lightning issues
- The 7708LT occupies one card slot and can be housed in a 1RU frame that will hold up to 3x modules, a 3RU frame that will hold up to 15x modules, a 350FR which will hold up to 7x modules or a standalone enclosure, which holds one module



► Specifications

<p>RF Input: Number of Inputs: 1 Connector: BNC per IEC 61169-8 Annex A (F-Type and SMA Optional)</p> <p>Input Impedance: 75Ω (50Ω Optional)</p> <p>Frequency Range: 50-3000MHz</p> <p>Return Loss: 120MHz-2.3GHz: > 14dB 2.3-3GHz: > 12dB</p> <p>Input Power Range: -10dBm to -60dBm</p> <p>Gain Range: 0 to +30dBm in 0.5dB steps</p> <p>IMD: < -55dBc at -15dBm input and 0dB gain +10dBm</p> <p>Input IP3: +10dBm</p> <p>LNB Power: Voltage: 13V DC, 18V DC, off (selectable) Current: 400mA Protection: Short Circuit, current limited LO Control: 22kHz on/off (selectable)</p> <p>RF Monitor Output: Number of Outputs: 1 Connector: BNC per IEC 61169-8 Annex A (F-Type and SMA Optional)</p> <p>Output Impedance: 75Ω (50Ω Optional)</p> <p>Return Loss: > 15dB</p>	<p>Frequency Range: 50-3000MHz</p> <p>Output Level: Within -2.0dB of input signal</p> <p>Optical Output: Number of Outputs: 1 Connector: Female SC/UPC, ST/UPC, FC/UPC, SC/APC, FC/APC</p> <p>Operating Wavelength: Standard: 1310nm DFB CWDM: 1270-1610nm DWDM: C-Band (ITU G.694.1 compliant)</p> <p>Output Power: Standard 1310nm: +2dBm CWDM: +2dBm DWDM: +11dBm</p> <p>RF System Performance 7708LT+7708LRA pair: Frequency Response: 950-2150MHz: ± 1.5dB 120MHz-3GHz: ± 2dB ±0.25dB on 36MHz BW to 2.3GHz</p> <p>RF System Performance 7708LT+7708LR-H pair: Frequency Response: 950-2150MHz: ± 1.5dB 120MHz-2.3GHz: ± 2dB ±0.25dB on 36MHz BW</p>	<p>10MHz Performance 7708T13-10MHz+7708R-10MHz pair: Manual Gain Range: -5 to +10dB Input Power Range: +10 to -40dBm OIP3: +29dB Harmonic Rejection: +60dB</p> <p>Electrical: Voltage: +12V DC Power: 6W max excluding LNB Power</p> <p>Physical (Number of Slots): 350FR: 1 7700FR-C: 1 7800FR: 1</p> <p>Compliance: Laser safety: Class 1 laser product Complies with 24 CFR 1040.10 and 1040.11, IEC 60825-1 EMI/RFI: Complies with FCC Part 15, Class A EU EMC directive</p>
--	--	--

The Complete Solution Provider



Ordering Information

7708LT13	Wideband RF fiber transmitter, 1310nm DFB laser, SmartMON™, VistaLINK®
7708LTxx	Wideband RF fiber transmitter, CWDM DFB laser, SmartMON™, VistaLINK®
7708LTDxxx	Wideband RF fiber transmitter, DWDM DFB laser, BNC connectors, SmartMON™, VistaLINK®
7708T13-10MHz	10MHz RF fiber transmitter, 1310nm DFB laser
7708Txx-10MHz	10MHz RF fiber transmitter, CWDM DFB laser

For companion receiver, see the 7708LRA/7708LR-H catalogue page

Ordering Options: rear plate and fiber connector must be specified at time of order (eg. model +3RU +SC)

Rear Plate Suffix:
+3RU 3RU rear plate for use with 7800FR or 7801FR multiframe

Enclosures:
7800FR 3RU multiframe, holds up to 15x single-slot modules
7801FR 1RU multiframe, holds up to 4x single-slot modules

Connector and Impedance Options:

Note: standard RF connectors are 75Ω BNC

RF Connectors:
+F75 75Ω F-Type connector
-B50 50Ω BNC connector
-S50 50Ω SMA connector

Fiber Connectors:
+SC SC/UPC
+AP+SC SC/APC (angle polished)
+FC FC/UPC
+AP+FC FC/APC (angle polished)

