

# 7708RGR/DVIR

## RGBHV / DVI / KVM Receiver

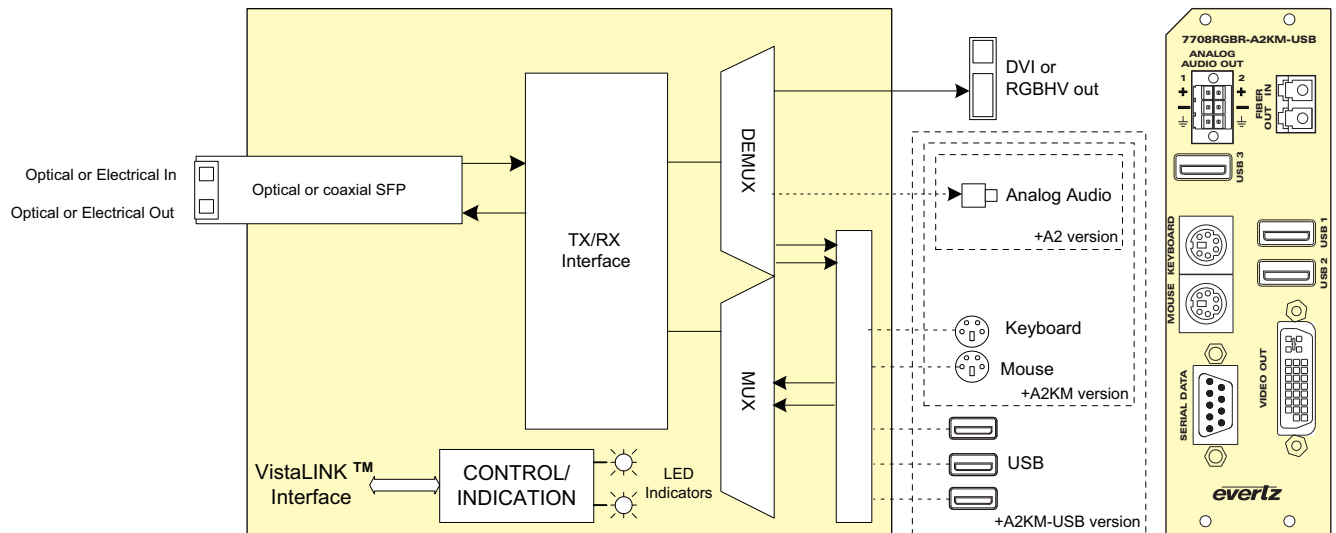
The 7708RGR and 7708DVIR are VistaLINK® SNMP capable RGBHV/DVI/KVM receivers for high resolution/high quality RGB and DVI video signals. Single card receiver module accepts an input from the companion 7708RGRBT/DVIT RGBHV/DVI/KVM Transmitters and outputs both analog or and digital DVI video. The 7708RGR is also available with analog audio, keyboard + mouse, serial and USB 2.0 options. SFP modules available in both optical or COAX options. (See ordering options)

The 7708RGR/DVIR occupies one card slot (two card slots for the A2KM and A2KM-USB versions) and can be housed in a 1RU frame, which will hold up to three modules. It can also be housed in a 3RU frame that will hold up to 15 modules (seven for A2KM and A2KM-USB versions), or a 350FR portable frame, which will hold up to seven modules (three for A2KM and A2KM-USB versions). See the physical specifications for the slot count.

The 7708DVIR provides the same features listed above as the 7708RGR, however it only supports a digital (DVI) output.

### ► Features & Benefits

- Supports DVI or RGBHV transport over a single fiber/coax
- Provides both RGBHV and DVI outputs simultaneously
- 3G router compatible for KVMX applications
- VESA video resolutions supported up to WUXGA
- Full 24 bits per pixel color resolution
- Ideal for use with high resolution LCD, plasma, and projection screens
- Superior digital data transmission
- Comprehensive signal and card status monitoring via four digit card edge display or remotely through SNMP and VistaLINK®
- VistaLINK® capability is available when modules are used with the 3RU 7800FR or 350FR portable frame and a 7700FC VistaLINK® Frame Controller module in slot 1 of the frame
- Fully hot-swappable from front of frame with no fiber or electrical disconnect/re-connect required
- Supports single-mode and multi-mode fiber optic cable (contact factory for multi-mode applications)
- Accepts any wavelength in the 1270nm to 1610nm range
- Optional 2 channel stereo analog audio
- Optional keyboard, mouse and serial
- Optional USB 2.0 interface
- Optional electrical SFP modules (+DIN)



### ► Specifications

<p><b>Video Output:</b> Standards: RGBHV and DVI 1.0, VESA Number of Outputs: 1 Connectors: 28-pin DVI with Analog Video Resolution: Up to WUXGA (1920x1200) at 75Hz Video Bandwidth: 500MHz Color Resolution: 24 bits Analog Output Level: 1.4V p-p (maximum) Analog Output Impedance: 75Ω Signal/Noise Ratio: &gt;55dB</p> <p><b>Analog Audio Output (A2, A2KM &amp; A2KM-USB versions):</b> Number of Outputs: 2 Type: Balanced analog audio Connector: 12-pin removable terminal block Impedance: High Impedance (&gt; 20kΩ) Frequency Response: ±0.1dB (20Hz to 20kHz) THD: &lt; 0.005% (20Hz to 20kHz) Channel Phase Diff: &lt; ±1° SNR: &gt; 85dB Level: -20dB to +3dB Max. Output Level: +24dBu into 10kΩ loads</p>	<p><b>Serial, Keyboard/Mouse, USB Input/Output (A2KM &amp; A2KM USB versions):</b> Standards: USB 2.0 Number: A2KM versions: 3 USB versions: 6 Connector: 2 PS2 for keyboard &amp; mouse 3 USB Type A, 1DB-9F serial</p> <p><b>Optical Input:</b> Number of Inputs: 1 per SFP Connector: Female LC/UJC Operating Wavelength: 1270nm-1610nm Max Input Power: -1dBm Optical Sensitivity: Standard: -21dBm</p> <p><b>Optical Output:</b> Number of Outputs: 1 per SFP Connector: Female LC/UJC Wavelengths: Standard: 1310nm CWDM: 1270nm - 1610nm Output Power: 1310nm: -2dBm ±1dBm CWDM: +4dBm ±1.5dBm</p>	<p><b>Electrical Output:</b> Number of outputs: 1 per SFP (when fitted with +DIN option) Connector: DIN Type 1.0/2.3 connector (75Ω)</p> <p><b>Electrical Input: (A2KM &amp; A2KM-USB versions):</b> Number of inputs: 1 per SFP (when fitted with +DIN option) Connector: DIN Type 1.0/2.3 connector (75Ω) Equalization: Typical 100m @ 3Gb/s</p> <p><b>Electrical:</b> Voltage: +12V DC Power: 13W (based on options)</p> <p><b>Physical (number of slots):</b> Standard and A2 versions: 1 A2KM and USB versions: 2</p> <p><b>Compliance:</b> Laser Safety: Class 1 laser product Complies with 24 CFR 1040.10 and 1040.11 IEC 60825-1 EMI/RFI: Complies with FCC Part 15, Class A EU EMC directive</p>
---	---	--



► Ordering Information

<b>7708RGBR</b>	RGBHV/DVI Receiver, 3G router compatible, VistaLINK®, includes SFP Receiver (must specify SFP module for COAX)
<b>7708RGBR-A2</b>	RGBHV/DVI + 2 Analog Audio Receiver, 3G router compatible, VistaLINK®, includes SFP Receiver (must specify SFP module for COAX)
<b>7708RGBR-A2KM</b>	RGBHV/DVI + 2 Analog Audio + Bi-di Keyboard and Mouse Receiver, 3G router compatible, VistaLINK® (must specify SFP module)
<b>7708RGBR-A2KM-USB</b>	RGBHV/DVI + 2 Analog Audio + Bi-di Keyboard and Mouse + USB 2.0 Receiver, 3G router compatible, VistaLINK®, (must specify SFP module)
<b>7708DVIR</b>	DVI Receiver, 3G router compatible, VistaLINK®, includes SFP Receiver (must specify SFP module for COAX)
<b>7708DVIR-A2</b>	DVI + 2 Analog Audio Receiver, 3G router compatible, VistaLINK®, includes SFP Receiver (must specify SFP module for COAX)
<b>7708DVIR-A2KM</b>	DVI + 2 Analog Audio + Bi-di Keyboard and Mouse Receiver, 3G router compatible, VistaLINK®, (must specify SFP module)
<b>7708DVIR-A2KM-USB</b>	DVI + 2 Analog Audio + Bi-di Keyboard and Mouse + USB 2.0 Receiver, 3G router compatible, VistaLINK® (must specify SFP module)

**Electrical Ordering Options**

**+DIN** SFP Transceiver, DIN Type, supports rates up to 3Gb/s

**Optical Ordering Options (Only for A2KM and A2KM-USB)**

**+13** SFP Transceiver, 1310nm, standard sensitivity receiver, supports rates up to 3Gb/s

**+Cxx** SFP Transceiver, CWDM, standard sensitivity receiver, supports rates up to 3Gb/s

*Note: xx - 27 to 61 and 55= 1550nm laser*

**Ordering Options**

Rear Plate and Fiber Connector must be specified at time of order (Eg: Model +SC +3RU)

**Rear Plate Suffix**

**+3RU** 3RU Rear Plate for use with 350FR, 7700FR-C or 7800FR Multiframe

**+1RU** 1RU rear plate for use with 7701FR Multiframe

**+SA** Standalone Enclosure Rear Plate

**Enclosures**

**350FR** 3RU Portable Multiframe which holds up to 7 single slot modules

**7700FR-C** 3RU Multiframe which holds up to 15 single slot modules

**7800FR** 3RU Multiframe which holds up to 15 single slot modules

**7801FR** 1RU Multiframe which holds up to 4 single or 2 dual slot modules

**7701FR** 1RU Multiframe which holds up to 3 single or dual slot modules

**S7701FR** Standalone Enclosure