

7708SFP, 7708SFP-2, 7708SFP-2-DIN, 7708SFP-4-DIN-A

Single, Dual, and Quad Fiber Optic SFP Card Module



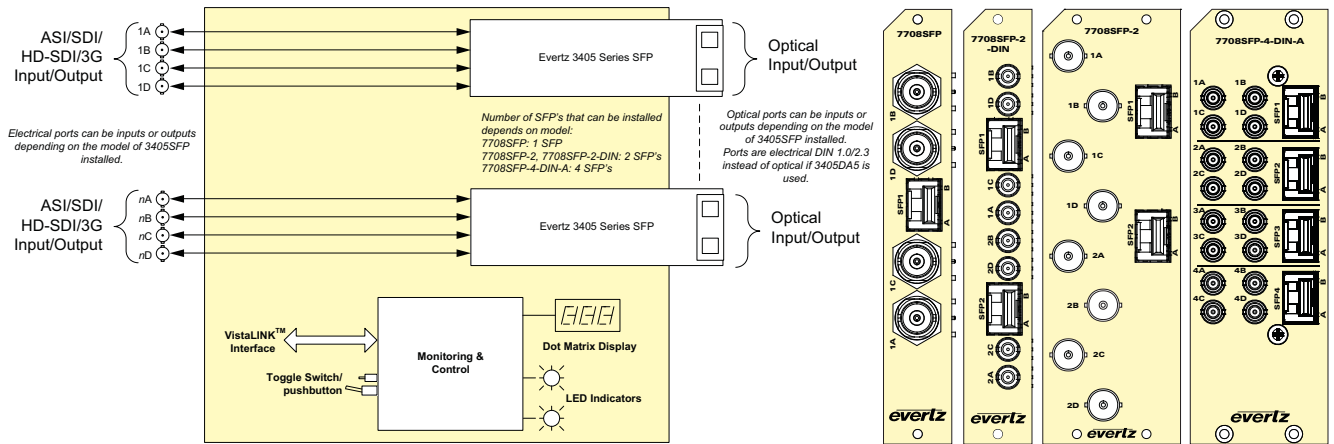
The Evertz 7708SFP series is a card-based equivalent to the 3405FR series fiber optic SFP frames. The 7708SFP series can accommodate any 3405 series SFP, allowing the SFP cages to be populated as needed with optical transmit, receive, regenerator, changeover or electrical distribution amplifier SFP's. Any combination of 3405SFP types may be used on the same card, making countless versatile combinations possible. Cards are available to hold one, two or four SFP's making them not only flexible, but also a very high-density and cost-effective solution for constructing modern fiber optic infrastructures. Benefits of fiber optics for video transport include longer attainable distances, smaller/lighter cabling, reduced cable tray loads and electrical isolation. The 7708SFP series provides a low-overhead means for simple electrical/optical conversion for interfacility transport, as well as overcoming the limitations imposed by coaxial cable in intra-facility applications.

3405 series SFP's are able to handle ASI, SDI, HD-SDI and 3G digital video signals, as well as other signal rates up to 3 Gig on non-reclocked versions (e.g. MADI). The SFP modules are hot-swappable on the rear panel, allowing for quick servicing or easy reconfiguration or expansion at any time. 16 CWDM wavelengths are also available, which when combined with Evertz CWDM products allow up to 16 signals to be multiplexed on to a single fiber, greatly conserving fiber usage.

The 7708SFP modules support full remote monitoring and control over SNMP/VistaLINK® when used in conjunction with an Evertz frame with frame controller module. Numerous parameters such as optical power and electrical signal presence and rate can be accessed remotely to monitor system integrity.

Features & Benefits

- Models available to hold one, two or four SFP's to suit different capacity requirements
- Models available with BNC or DIN 1.0/2.3 connectors to suit different density or connector preferences
- Any combination of 3405SFP types may be installed in a single card, including optical transmit, receive, regenerator and electrical distribution amplifiers
- SFP modules are hot-swappable from the rear plate
- 7708SFP card modules are hot swappable through the front of the frame
- Comprehensive signal and card status monitoring via four digit card edge display or remotely through SNMP and VistaLINK® when used in conjunction with an Evertz frame controller module



SFP Options

The 7708SFP series is compatible with any 3405 series optical or coaxial SFP. For optical SFP options, please see the "3405 Optical SFP Series" data sheet, and for coaxial SFP options please see the "3405 Coaxial SFP Series" data sheet.

Specifications

System:	Electrical Outputs:	Physical (number of slots):
Density:	Connector:	7708SFP: 1
7708SFP: 1 SFP module	7708SFP: BNC per IEC 61169-8 Annex A	7708SFP-2: 2
7708SFP-2: Up to 2 SFP modules	7708SFP-2: BNC per IEC 61169-8 Annex A	7708SFP-2-DIN: 1
7708SFP-2-DIN: Up to 2 SFP modules	7708SFP-2-DIN: DIN 1.0/2.3	7708SFP-4-DIN-A: 2
7708SFP-4-DIN-A: Up to 4 SFP modules	7708SFP-4-DIN-A: DIN 1.0/2.3	
Impedance: 75Ω	Impedance: 75Ω (nominal)	Electrical:
	Return Loss: >15dB up to 1.5GHz	Voltage: +12V DC
	>10dB to 3GHz	Power: 11W
Electrical Inputs:	Compliance:	
Connector:	EMI/RFI:	
7708SFP: BNC per IEC 61169-8 Annex A	Complies with FCC part 15, Class A	
7708SFP-2: BNC per IEC 61169-8 Annex A	Complies with EU EMC Directives	
7708SFP-2-DIN: DIN 1.0/2.3		
7708SFP-4-DIN-A: DIN 1.0/2.3		
Equalization: Automatic to 80m @ 3 Gb/s 100m@		
Return Loss: > 15dB up to 1.5GHz		
> 10dB up to 3GHz		

Ordering Information

7708SFP	Single Fiber Optic SFP card module with BNC I/O
7708SFP-2	Dual Fiber Optic SFP card module with BNC I/O
7708SFP-2-DIN	Dual Fiber Optic SFP card module with DIN 1.0/2.3 I/O
7708SFP-4-DIN-A	Quad Fiber Optic SFP card module with DIN 1.0/2.3 I/O

Enclosures
350FR
7700FR-C
7800FR

3RU Portable Multiframe which holds up to 7 single slot modules
 3RU Multiframe which holds up to 15 single slot modules
 3RU Multiframe which holds up to 15 single slot modules

Ordering Options Rear Plate must be specified at time of order (Eg: Model +3RU)

Evertz SFP modules

The 7708SFP series is compatible with any 3405 series optical or coaxial SFP. For optical SFP options, please see the "3405 Optical SFP Series" data sheet, and for coaxial SFP options please see the "3405 Coaxial SFP Series" data sheet.

The Complete Solution Provider

