

7702LPS-2, 7703LPS-2, 7803LPS-2

Dual Port LNB Power Inserters

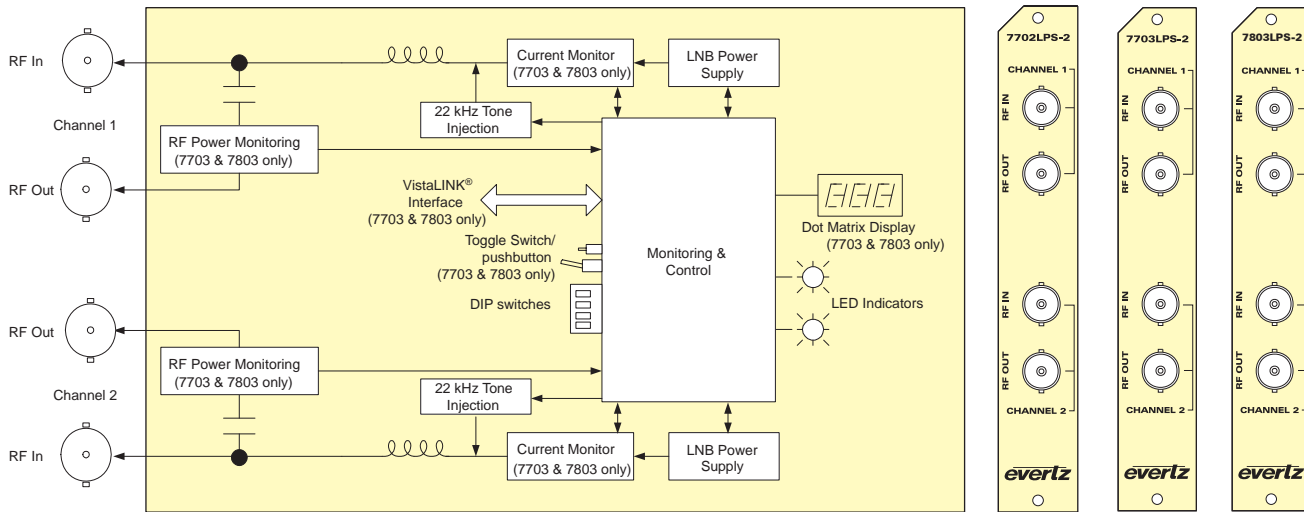


The 7702LPS-2, 7703LPS-2 & 7803LPS-2 dual port LNB power inserters offer a modular, high performance and compact platform for inserting DC power via coaxial cable to two LNBS. Housed in the 7800FR 3RU frame with dual power supplies, up to 30 (7702) or 28 (7703, 7803) LNBS can be powered with a single frame. On their RF input connectors, the cards provide +13/+18V DC power and 22kHz tone generation with low RF insertion loss. The 7703 and 7803 versions include SNMP support for remote monitoring and control via VistaLINK® software, including LNB current and RF input power monitoring.

The 7702LPS-2 & 7703LPS-2 each occupy one card slot and can be housed in a 1RU 7701FR frame which will hold up to 3 modules, a 1RU 7801FR frame which will hold up to 4 modules, a 3RU 7800FR frame which will hold up to 15 modules, a 350FR portable frame, which will hold up to seven modules, or a standalone frame that will hold 1 module.

►Features & Benefits

- Provide DC voltage of +13/+18V DC with available +1V DC (+14/+19V DC) cable compensation for long cable runs
- 22kHz tone generation available on both ports for LNB control
- DC voltage level and 22kHz tone generation are independently controllable on each port
- Dynamic or static short circuit current protection. Dynamic mode features continuous short circuit check and automatic recovery, while static mode disables DC voltage until a reset is performed. Both modes indicate the short circuit condition on card edge LEDs and VistaLINK® (7703 & 7803 version)
- For system diagnostics and troubleshooting, the 7703 & 7803 version provides RF input power and LNB current monitoring with adjustable high/low alarm thresholds for SNMP/VistaLINK® alarming
- 7800FR frame power supplies are redundant, front-loading and hot swappable for reliability and ease of maintenance
- 7702, 7703 and 7803 cards are front loading and hot swappable for simple installation and maintenance
- 7703 and 7803 cards features full SNMP/VistaLINK® support and local card edge monitoring and control via the dot matrix display and toggle switch/pushbutton



►Specifications

RF Input		I/O Impedance: 75 Ω, 50 Ω optional		Electrical:	
Connector:	BNC per IEC61169-8 Annex A (F type and SMA connector optional)	Return Loss:	>15dB	Voltage:	+12V DC
I/O Impedance:	75 Ω, 50 Ω optional	Output Frequency Range:	250MHz – 2250MHz	Power:	3W with no LNB load
Return Loss:	>15dB	Insertion Loss:	<1.6dB	EMI/RFI:	Complies with FCC regulations for Class A devices
Isolation:	> 60dB	Frequency Response:	+/- 0.2dB		Complies with EU EMC directive.
Input Frequency Range:	250MHz – 2250MHz				
Input Power Range:	0 to -70dBm				
RF Output		LNB Voltage		Physical (number of slots):	
Connector:	BNC (F type optional and SMA connector optional)	Output Voltage:	+13, +14, +18, +19Vdc	350FR:	1
		Maximum Output Current:	400mA (7702 & 7703) 600mA (7803)	7700FR-C:	1
				7800FR:	1
				7801FR:	1

►Ordering Information

7702LPS-2	Dual Port LNB Power Inserter, 75Ω BNC connectors	Rear Plate Suffix	
7703LPS-2	Dual Port LNB Power Inserter, 75Ω BNC connectors with SNMP/VistaLINK® support	+3RU	3RU Rear Plate for use with 350FR, 7700FR-C or 7800FR Multiframe
7803LPS-2	Dual Port LNB Power Inserter, 75Ω BNC connectors with SNMP/VistaLINK® support, card support up to 600mA LNB output current	+1RU	1RU Rear Plate for use with 7701FR Multiframe
7702LPS-2-B50	Dual port LNB power inserter, 50Ω BNC connectors	+SA	Standalone Enclosure Rear Plate
7703LPS-2-B50	Dual port LNB power inserter, 50Ω BNC connectors, with VistaLINK® monitoring	Connector Suffix	
7702LPS-2-S50	Dual port LNB power inserter, 50Ω SMA connectors	+F75	75Ω, F-Type Rear Connector
7703LPS-2-S50	Dual port LNB power inserter, 50Ω SMA connectors, with VistaLINK® monitoring	Enclosures	
Ordering Options	Rear Plate must be specified at time of order (Eg. Model +3RU)	350FR	3RU Portable Multiframe which holds up to 7 single slot modules
		7700FR-C	3RU Multiframe which holds up to 15 single slot modules
		7800FR	3RU Multiframe which holds up to 15 single slot modules
		7801FR	1RU Multiframe which holds up to 4 single or 2 dual slot modules
		7701FR	1RU Multiframe which holds up to 3 single or dual slot modules
		S7701FR	Standalone Enclosure