

7780TG-ASI

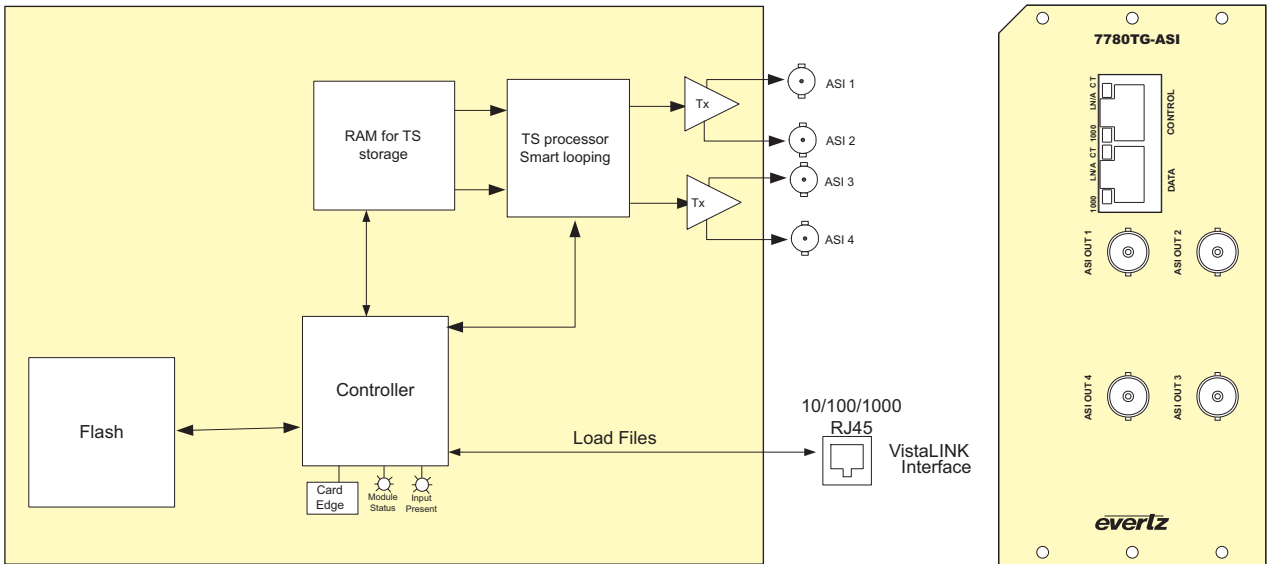
ASI Test Signal Generator



The 7780TG-ASI Test Signal Generator provides a cost-effective method of generating ASI test signals. The 7780TG-ASI is ideal for checking signal path integrity, or to determining system performance over varying cable lengths. The 7780TG-ASI generates test transport stream in DVB-ASI formats.

Features & Benefits

- Four ASI outputs
- DVB, ATSC, ISDB compatible
- Pre-loaded test patterns
- On board flash for storage of pre-recorded streams
- Setable output bitrate
- Smart looping with PCR, PTS, continuity count re-stamping
- Comprehensive monitoring & configuration capabilities via VistaLINK®
- Card edge LEDs indicate module status



Specifications

Serial Transport Stream Output:	Storage & Play Out Time:	Physical (number of slots):
Standard: DVB ASI	Storage Flash: 8GB	350FR: 3
Payload: 1-213Mb/s	Max Payout File Size: 250MB	7700FR-C: 3
Number of Outputs: 4	100sec @ 20Mb/s	7800FR: 3
Connector: BNC per IEC 61169-8 Annex A	40sec @ 45Mb/s	
Signal Level: 800mV nominal	Electrical:	
DC Offset: 0V ±0.5V	Voltage: +12V DC	
Rise and Fall Time: 740ps nominal	Power: 41 W	
Overshoot: < 10% of amplitude	EMI/RFI: Complies with FCC Part 15, Class A	
Return Loss: > 15dB up to 270Mb/s	EU EMC Directive	
Wide Band Jitter: < 0.2 UI		

Ordering Information

7780TG-ASI	ASI Test Signal Generator	Enclosures	
Ordering Options	Rear Plate must be specified at time of order (Eg: Model +3RU)	350FR	3RU Portable Multiframe which holds up to 7 single slot modules
		7700FR-C	3RU Multiframe which holds up to 15 single slot modules
		7800FR	3RU Multiframe which holds up to 15 single slot modules
Rear Plate Suffix			
+3RU	3RU Rear Plate for use with 350FR, 7700FR-C or 7800FR Multiframe		

The Complete Solution Provider

