

7800SRG-IP

PTP Slave Sync Generator



The 7800SRG-IP is a precision time protocol (PTP) referenced black burst sync generation module. In the modern media facility or data center, timing can be distributed along with the video and audio essence over IP. Hence, reducing or eliminating the need for traditional large coaxial black burst or sync distribution systems.

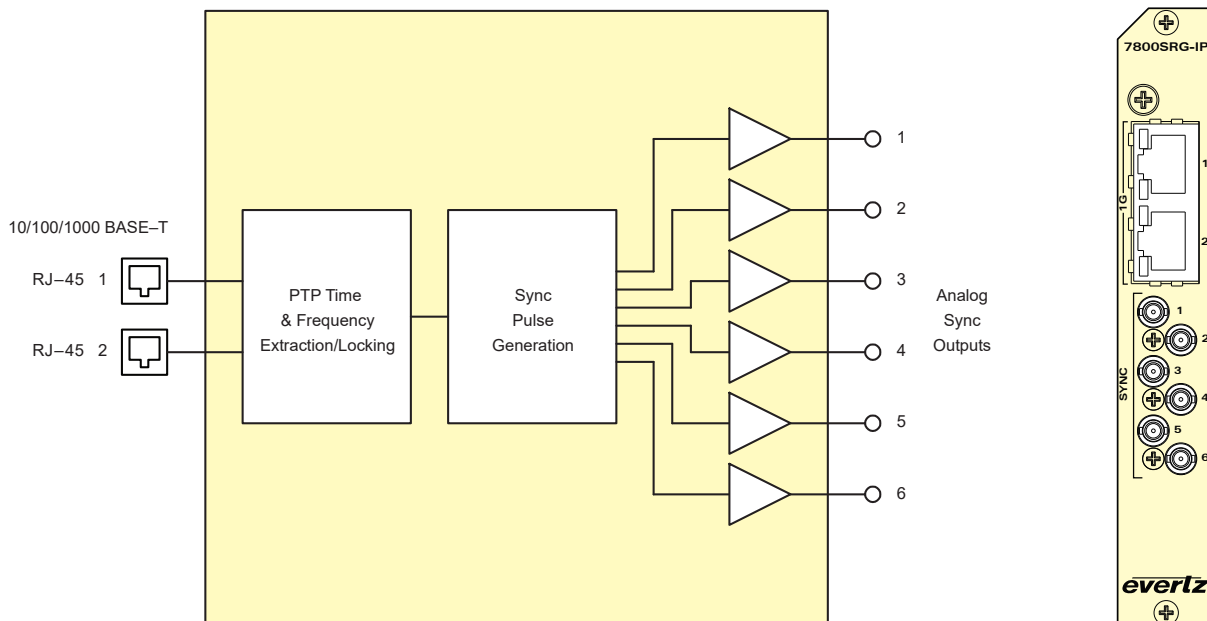
This module is ideal for hybrid IP-Baseband systems which have remote edit suites, campus distributed LAN timing, WAN based systems and baseband islands. Particularly in areas which will not have traditional sync distribution systems or where the application doesn't warrant an Enterprise-level GPS-based grand master clock system (like the 5700MSC-IP).

The 7800SRG-IP locks to PTP from one of the 10/100/1000BASE-T ports and generates 6x black burst outputs that are locked to the upstream grand master clock system.

Each of the 6x HD-BNC outputs may be configured to provide independently timed color black (black burst) outputs or independently timed HDTV tri-level sync outputs. Also, each output can be configured to provide 10MHz, 5MHz, PAL Subcarrier, NTSC Subcarrier and other bespoke sync signals for timing to legacy equipment. It is an excellent complementary product to the 5700MSC-IP Grand Master Clock system.

Features & Benefits

- Primary/secondary 10/100/1000 BASE-T input for timing reference
- 6x independent timetable and configurable sync outputs
- Derives frequency and phase from Precision Time Protocol (IEEE1588-J, SMPTE ST 2059-2 or AES67 profile)
- Excellent for edit suites or remote baseband islands in hybrid IP/baseband plants
- VistaLINK® enabled for control



7800SRG-IP

PTP Slave Sync Generator



Specifications

10/100/1000 BASE-T Timing Network:

Quantity: 2
Network Type: IEEE 802.3 (10BASE-T),
IEEE 802.3u
(100BASE-TX),
IEEE 802.3ab
(1000BASE-T)
Connector: RJ-45
Timing: IEEE1588 (Annex J)
SMPTE ST 2059-2
AES67

Analog Sync Outputs:

Output Standards:
Black Burst: SMPTE ST 170
(NTSC-M), ITU-R
BT.1700-1 (PAL-B)
Bi-Level: Slo-Pal 625i/48,
625i/47.95, 480p/59.94
HD Tri-Level: SMPTE ST 274
(1080p/23.98,
1080p/24, 1080i/50,
1080i/59.94, 1080i/60,
1080p/23.98sF,
1080p/24sF, 1080p/25,
1080p/29.97, 1080p/30,
1080p/50, 1080p/59.94,
1080p/60);
SMPTE ST 296
(720p/59.94, 720p/60,
720p/50, 720p/30,
720p/24)
Pulse Signals: PAL color frame,
1Hz pulse, IRIG DATUM
1/1.001Hz pulse,
6/1.001Hz pulse
CW Signals: 5MHz, 10MHz,
NTSC-M subcarrier,
PAL-B subcarrier
Wordclock: 48kHz wordclock,
level 5V CMOS (1k Ω)
or \pm 1V (75 Ω)
10MHz Output: 1.0V p-p, 2.0V p-p,
in 75 Ω , SNR > 70dB rms,
SFDR > 50dBc
Connector: 75 Ω HD-BNC
No. of Outputs: 6
DC Offset: 0V \pm 0.05V
Return Loss: > 40dB up to 10MHz
SNR: > 75dB rms
Output Levels: 1.0V p-p, 2.0V p-p,
in 75 Ω , selectable

Ordering Information

7800SRG-IP PTP slave referenced sync generator for up to 6 independent outputs

Rear Plate Suffix:

+3RU 3RU Rearplate

Enclosures:

350FR 3RU Portable Multiframe Which Holds Up to 7 Single Slot Modules with AC Power Supply

7800FR 3RU Multiframe Which Holds up to 15 Single Slot Modules with AC Power Supply

7801FR 1RU Multiframe Which Holds up to 4 Single Slot or 2 Dual Slot Modules, Requires

Rear Plate Option for Modules