

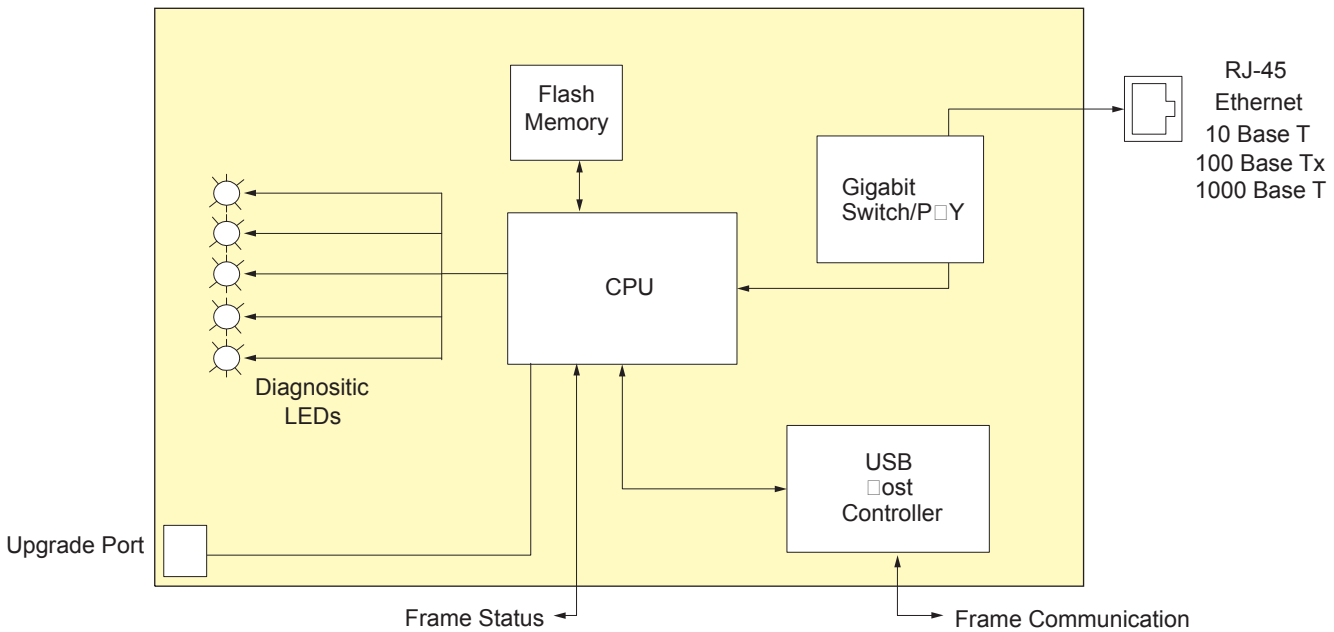
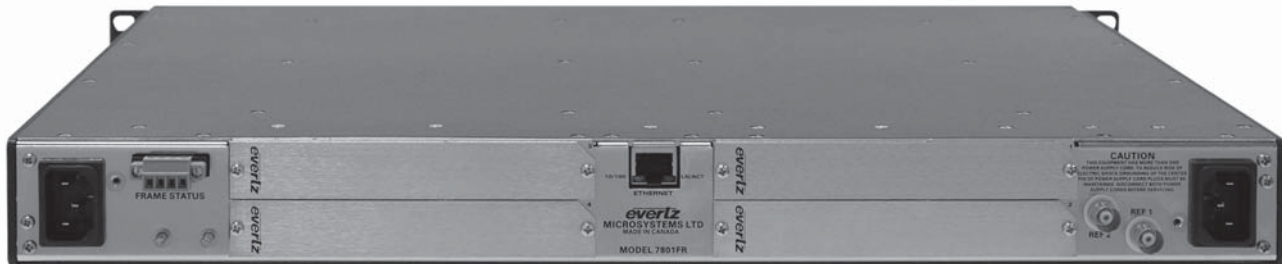


The 7801FC VistaLINK® Frame Controller card provides a single point of access to communicate with VistaLINK® -capable modules. The 7801FC VistaLINK® Frame Controller provides a 10Base-T/100Base-TX/1000 Base-TX Ethernet port, and communication is facilitated through the use of Simple Network Management Protocol (SNMP).

The 7801FC VistaLINK® Frame Controller handles all SNMP communications between the frame (7801FR) and the network manager (NMS), and serves as a gateway to individual cards in the frame.

► **Features & Benefits**

- Complies with IEEE 802.3 10BASE-T, 100BASE-TX and 1000BASE-TX Ethernet standards
- 1000Mb/s Gigabit Ethernet, 100Mb/s Fast Ethernet or 10Mb/s Ethernet data transfer, selected by auto negotiation
- Full-duplex or half-duplex operation, selected by auto-negotiation
- RJ-45 connector for network cable connection
- Card edge LEDs indicate module fault, microprocessor state, activity and link status
- Rear panel LEDs indicate Ethernet link, activity and speed
- Supports "ftp" upgrades for frame-wide firmware upgrades (product specific)
- Includes VistaLINK® PRO (VLPRO-C) module software configuration tool
- Provides frame/chassis status information through VistaLINK® including power supply status, frame status, card insertion/removal counters, 7801FC software version number and LED control
- Provides an onboard web interface to directly control modules that support WebEASY



► **Specifications**

Ethernet:		EU EMC directive
Network Type:	IEEE 802.3 (10BASE-T) IEEE 802.3u (100BASE-TX) IEEE 802.3ab (1000BASE-TX)	
Connector:	RJ-45	
Electrical:		Physical (number of slots):
Voltage:	+12V DC	7801FR: 0 (User dedicated slot)
Power:	8W	
EMI/RFI:	Complies with FCC Part 15, Class A	

► **Ordering Information**

7801FC	VistaLINK® Frame Controller	Enclosure 7801FR	1RU Multiframe which holds up to 4 single slot modules
---------------	-----------------------------	-------------------------	--