

# 7825DSK2–LG Series

3G/HD/SD Dual Downstream Keyer with Internal Logo and VistaLINK® Support



The 7825DSK2–LG–HD and 7825DSK2–LG–3G Dual Downstream Keyer and Logo Inserter are complete packages that will insert simultaneous static or animated logos over a full bandwidth SDI program video signal.

The 7825DSK2–LG–HD and 7825DSK2–LG–3G have been designed to manage and store multiple logo objects. Logos are stored in non–volatile Flash memory and may be downloaded to the hardware via Ethernet FTP using OvertureRT software. Both models have two sets of key and fill inputs to allow for external keyer sources.

In addition to the support for two external keyers, up to 16x static or animated logos can be keyed simultaneously with independent fade control for each. The size of each logo is variable and ranges from 1/25th to fullscreen. The position of the logo, fade rates and animation rates are also user–controllable. They come with 512MB of playout cache and 2GB of compact flash storage.

The onboard preview allows you to cue your logos for position and content verification prior to going “On Air”. The optional features of the 7825DSK2–LG–HD and 7825DSK2–LG–3G are an air temperature probe and a crawl option which provides the ability to insert crawls with static content.

The 7825DSK2–LG–HD and 7825DSK2–LG–3G are VistaLINK® PRO–capable, offering remote monitoring, control and configuration capabilities via Simple Network Management Protocol (SNMP). This product feature offers another solution to manage operations including signal monitoring and module configuration from SNMP–enabled control systems (Manager or NMS) locally or remotely.

## Network Management

- Built–in VistaLINK® support for remote monitoring and control via SNMP (using VistaLINK® PRO)
- 7825DSK2–LG–HD and LG–3G modules do not require a 7700FC VistaLINK® frame controller; a direct Ethernet connection to the network for VistaLINK® operations must be provided by the user

## EAS Option

- Emergency alert crawls
- Interfaces to major vendors of EAS decoders (over IP)
- Maximum number of static logos reduced to 15

## Features & Benefits

- Two downstream keyers with full preview
- Supports 525i/59.94, 625i/50, 720p/50, 720p/59.94, 1080p/60, 1080p/50, 1080i/59.94 and 1080i/50 video formats
- Full 12–bit linear keyer with video fade–in and fade–out processing
- LTC input for analog or digital ‘Breakfast Clock’ logos
- 16–channel embedded audio support
- Video input bypass relays for power failure bypass protection
- Voiceover support using embedded audio from program inputs/audio clip with configurable ducking level
- Multiple control interface options including GPI, RS–232 automation control
- Optional crawl support for static crawls
- Optional temperature probe for temperature logos
- Optional playout cache and compact flash upgrades

# 7825DSK2-LG Series

3G/HD/SD Dual Downstream Keyer with Internal Logo  
and VistaLINK® Support



## Specifications

### Serial Video Input:

Standard: SMPTE ST 424 (3Gb/s)  
1080p; SMPTE ST 292-1  
(1.5Gb/s) 1080i, 1035i,  
720p; SMPTE ST 259-1  
(270Mb/s) 525i, 625i

No. of Inputs: 2x background,  
2x fill, 2x key

Connector: BNC per IEC 61169-8  
Annex A

Equalization: Automatic 300m @  
270Mb/s, 100m @  
1.5Gb/s with Belden 1694  
or equivalent cable

Return Loss: >15dB up to 1.5Gb/s

### Serial Video Outputs:

Standard: (Same as input)

No. of Outputs: 1x program, 1x preview

Connectors: (Same as input)

Signal Level: 800mV nominal

DC Offset: 0V ±0.5V

Rise and Fall Time: 750ps nominal

Overshoot: <10% of amplitude

Wideband Jitter: <0.2 UI

### Video Reference:

Type: NTSC or PAL Color  
Black 1V p-p

Connectors: BNC per IEC 61169-8  
Annex A

Termination: 75Ω

### LTC Reader (on breakout cable):

Standard: SMPTE ST 12-1

Frame Rate: 25 and 30fps nominal

Connectors: 3-pin female XLR  
type connector

Level: 0.2-4V p-p, balanced  
or unbalanced control  
(on breakout cable)

Remote Panel Port: 9-pin female "D" RS-422  
9600 baud, 8 bits, no parity  
remote control panel  
interface (RCP/DCP  
versions only)

Serial Control Port: 9-pin female "D"  
RS-232/RS-422  
8-bit, no parity, baud rate  
depends on protocol  
(Same as Serial Control)

COM D Port: (Same as Serial Control)

Selectable Protocol: Automation, temperature  
probe interface

Ethernet Port: RJ-45 100BaseT Ethernet,  
TCP/IP, logo transfers,  
virtual serial ports

### General Purpose Inputs/Outputs:

No. of Inputs: 8x programmable  
control functions

No. of Outputs: 4x programmable  
tally functions

Type: Opto-isolated, active low

Connector: 15-pin female  
high-density D

Signal Level: Pulled up to Vext supplied  
voltage 3.3V DC provided

### Electrical:

Voltage: +12V DC

Power: 30W

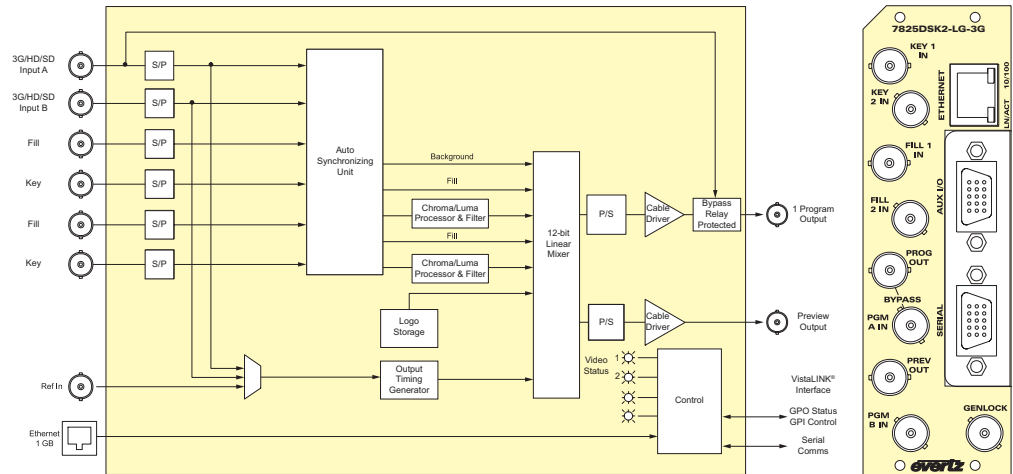
Safety: TUV listed, complies  
with EU safety directive

EMI/RFI: Complies with FCC part 15,  
Class A EU EMC directive

### Physical (Number of Slots):

7800FR: 2

7801FR: 2



## Ordering Information

### 7825DSK2-LG-HD

HD/SD Dual Downstream Keyer with Internal Logo with VistaLINK support

### 7825DSK2-LG-3G

3G/HD/SD Dual Downstream Keyer with Internal Logo with VistaLINK support

### Ordering Options:

#### +CWL

Optional Crawl Support (Dynamic Contents)

#### +TP

Air Temperature Probe

#### +E

Optional EAS Crawl Insertion (NA Only)

#### +CF8G

Upgrades compact flash from 1GB to 8GB

#### +PC8G

Upgrades playout cache from 512MB to 8GB

### 7825DSK2-PANEL

1RU Serial Control Panel for 7825DSK2-LG-HD and 7825DSK2-LG-3G modular products

Contact factory for more memory upgrade options.

### Rear Plate Suffix:

#### +3RU

3RU Rearplate

### Enclosures:

#### 7800FR

3RU Multiframe Which Holds up to 15 Single Slot Modules with AC Power Supply

#### 7801FR

1RU Multiframe Which Holds up to 4 Single Slot or 2 Dual Slot Modules, Requires Rear Plate Option for Modules