

7882ENC-H264HD-IPASI

Professional Contribution H.264 and MPEG-2 Encoder

The 7882ENC-H264HD-IPASI has been designed to deliver “best in breed” video and audio compression technology to lead the contribution market space, offering the very best video quality, latency and bandwidth utilization.

This flexible architecture offers both MPEG-2 and H.264 (MPEG-4 Part 10) user configurable video compression at up to 10-Bit 4:2:2 resolution. Concurrently, with latencies as low as 215ms end to end, the 7882ENC becomes an ideal compression solution for low latency contribution requirements.

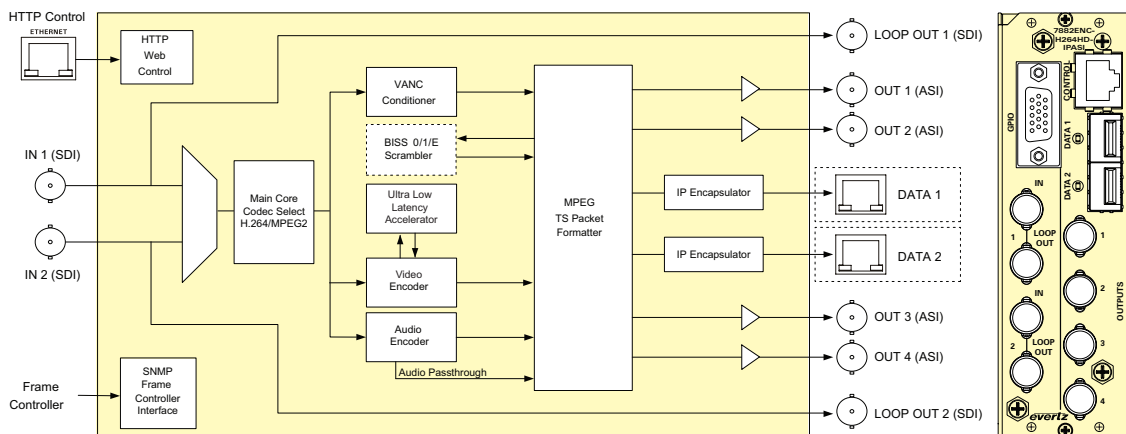
The 7882ENC supports audio encoding of up to 16 embedded channels using a wide variety of audio compression cores including, but not limited to, MPEG1L2, Dolby-E/AC-3, AAC and audio pass-through.

The 7882ENC includes a dedicated control port that offers a built-in web server for quick and easy configuration, including true SNMP control from the award winning VistaLINK NMS when paired with a frame controller. For those mission critical applications, the 7882ENC can be intelligently managed using the Evertz Compression Systems Manager (CSM) software which offers complete provisioning, monitoring and redundancy management of the contribution compression head end.

As a base model, the 7882ENC must be purchased with a choice of Channel Key to unlock a desired level of chroma encoding. The 7882ENC is fully feature upgradable in the field, allowing for a cost-effective migration up to a fully optional platform capable of 422 10b with ASI and IP out. The 7882ENC offers the best performance and versatility available from a world class contribution encoder.

► Features & Benefits

- 1x High quality H.264 or MPEG-2 encoder up to 4:2:2 10-bit
- 2x HD/SD-SDI inputs with loop out protection
- Support for multiple audio codecs including AAC and Dolby
- Fully integrated with the industry leading VistaLINK® PRO system
- Compact two slot design compatible within any Evertz 3RU chassis
- Control via 7800 Frame Controller and/or integrated HTTP interface



► Specifications

Video Specifications:

Number of Inputs/Outputs:	BNC: 2x HD/SD-SDI Inputs 2x HD/SD-SDI Outputs 4x ASI Outputs
IP:	2x GbE Data Ports (Optional SFP) 1x GbE Control Port
Standard:	SMPTE 292M/259M 1.485Gb/s, 270Mb/s ASI per DVB TR 101 891 (Max 80Mb/s)
Video Resolution:	1920x1080 @ 25, 29.97 1280x720 @ 50, 59.94 720x576 @ 25Hz (ITU-R BT.656-4) 720x480 @ 29.97Hz (SMPTE 125M)
Ethernet Connector:	RJ-45 auto-negotiation UDP/RTP FEC SMPTE-2022 (Optional) SPTS / MPTS
Video Compression:	MPEG-2 4:2:0 MPEG-2 4:2:2 8bit (Optional) H.264/MPEG-2 AVC 4:2:0 H.264/MPEG-2 AVC 4:2:2 8bit (Optional) H.264/MPEG-2 AVC 4:2:2 10bit (Optional)
Profile/Level:	MP@ML up to Hi422P@4.1

Audio Specifications:

Number of Channels:	8x PIDs of audio processing across 16x Channels of Embedded PCM
Compression Formats:	MPEG-1 Layer 2 Passthrough PCM Dolby Digital Dolby-E
Optional:	Dolby Digital AC-3 up to 3/2L Dolby Digital Plus Dolby-E Encode AAC (LC, HE, v1, v2)

Ancillary Specifications:

Embedding of:	Audio Pass Through Closed Caption/Teletext AFD/WSS Timecode SMPTE 2038
---------------	--

Configuration & MGMT:

Web Server:	Integrated HTTP with full control
SNMP:	VistaLINK remote control and monitoring via Frame Controller
Electrical:	
Input Voltage:	Auto ranging 100 – 240VAC
Power:	<48W
EMI/RFI:	Complies with FCC regulations for class-A devices Complies with EU EMC directive

Physical (number of slots):

7800FR:	2
7800FR-QT:	2
7801FR:	2
3700FR:	2

► Ordering Information

7882ENC-H264HD-IPASI	Professional HD/SD-SDI H.264 and MPEG-2 Encoding Platform
7882ENC-CK-3B422	Channel Key for H.264 or MPEG-2 8bit 4:2:2 Encoding
7882ENC-CK-10B422	Channel Key for H.264 10bit 4:2:2 Encoding
7882ENC-CK-H264HD	Channel Key for H.264 4:2:0 Encoding
7882ENC-FK-AC3E	Feature Key for Dolby Digital AC-3 Encoding up to 5.1 (3/2L)
7882ENC-FK-DEE	Feature Key for Dolby-E Encoding
7882ENC-FK-AAACE	Feature Key for AAC LC and HE, v1, v2 Encoding
7882ENC-FK-FEC	Feature Key for Forward Error Correction per SMPTE-2022
7882ENC-FK-EBISS	Feature Key for BISS 1/E Encryption

Accessories:

7800FC	3RU Multiframe Controller (necessary for 3RU SNMP control)
7801FC	1RU Multiframe Controller (necessary for 1RU SNMP control)
VistaLINK® PRO	Network Management Software
VistaLINK® CSM	Compression System Manager

Enclosures:

7800FR	3RU Multiframe which holds up to 7 modules
7800FR-QT	3RU Multiframe which holds up to 7 modules
7801FR	1RU Multiframe which holds up to 2 modules
3700FR	6RU ATP Multiframe which holds up to 7 modules

SFP Modules (sold separately):

SFPTR-RJ45-SGM-AV	1x 10/100/1000 Ethernet Copper RJ45 for IP Streaming Output
--------------------------	---