

SCORPION-2

Miniature Throwdown Frame



The SCORPION-2 Media Processing Platform is a miniature form factor, multi-service signal conversion, aggregation enclosure capable of simultaneously transporting video, audio and data services over Ethernet or fiber networks. Using SCORPION MIO modules, the SCORPION-2 is highly flexible and can accommodate a multitude of video, audio, and data signals. The SCORPION-2 will take on the function of the mini I/O module installed and can become a standalone IP gateway, miniature throwdown encoder, or dark fiber media converter to highlight a few use cases.

When combined with other SCORPION form factors, the SCORPION-2 becomes part of an integrated, scalable transport network, enabling the sharing of content from different sites using different transport media.

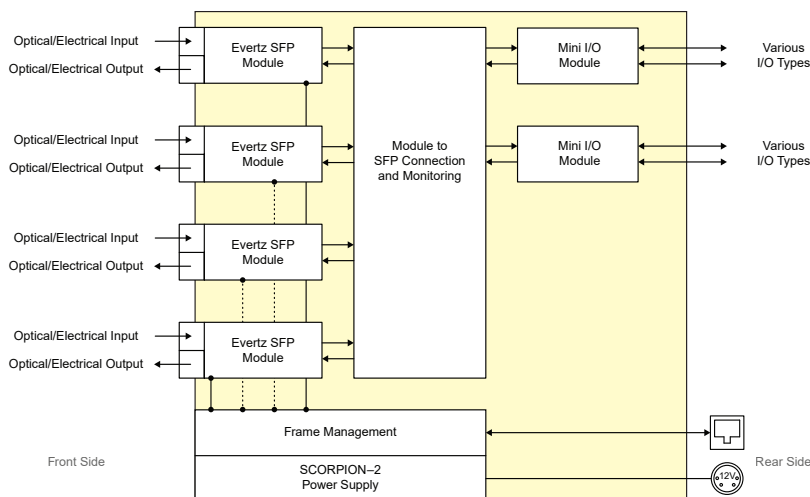
The SCORPION-2 possesses a compact fanless form factor, and is designed to be operated in portable and/or low noise environments. SCORPION-2 is ideal for mobile and live sports production applications.

Features & Benefits

- Fan-less/silent form factor
- Houses a single dual-slot or two single slot MIO modules
- Up to 4x SFP ports for transport connectivity
- Supports MSA SFP transceivers
- Built-in frame controller for monitoring and management
- 12V power brick included
- MAGNUM, VUE, VistaLINK® PRO and inSITE monitoring and control
- NMOS compliant (IS-04 v1.3, IS-05 v1.1, BCP-002-01 v1.0)

Application Highlights:

- Dual-channel JPEG2000 encoder/decoder
- Dual-channel JPEG XS encoder and decoder
- Dual-channel HEVC/H.264 streaming encoder
- SMPTE ST 2110 SDI and HDMI edge device up to 4K
- SMPTE ST 2022-2/6 edge device up to 4K
- Fiber extender for video/audio/data formats



SCORPION-2

Miniature Throwdown Frame



Specifications

System:
Density: 4x SFP's, 2x SCORPION mini I/O modules
Impedance: Depends on SCORPION mini I/O module (see appropriate specifications)
Connector: Depends on SCORPION mini I/O module (see appropriate specifications)

Communication and Control:
Ethernet: SNMP over IEEE 802.3/U (10/100/1000 BaseTx) RJ-45 connector
Control: SNMP, web Access, direct control and control panels

Electrical Inputs/Outputs:
Connector: Depends on SCORPION mini I/O module (see appropriate specifications)
Impedance: Depends on SCORPION mini I/O module (see appropriate specifications)

Physical:
Dimensions: 1.25" H x 4.25" W x 6" D (32mm x 108mm x 152mm)
Module Capacity: 4x Evertz SFP modules, 4x SCORPION mini I/O modules

Electrical:
Voltage: DC input 12V DC
Power Consumption: 25W empty, 132W fully loaded
Connectors: 12V DC, auto ranging 100-240V AC 50/60Hz adapter included
Status Indicators: LED on unit

Compliance:
Safety: NEMKO listed, complies with CAN/CSA-C22.2 No. 62368-1:2019, UL 62368-1:2019, IEC 62368-1:2018, IEC 60950-1:2005, AMD1:2009, AMD2:2013
EMC/EMI: EN55032:2012/AC:2013, EN55035:2017, FCC 47 CFR Part 15, Subpart B, ICES-003 Issue 6

Supported Media Standards:
AMWA NMOS IS-04 v1.3, IS-05 v1.1 and BCP-002-01 v1.0

Ordering Information

SCORPION-2	Scorpion Miniature Frame (holds 2 modules)
Mini I/O Module Options:	
MIO-VB-2-12G	12G/6G/3G/HD/SD/ASI video access module
MIO-GE-RJ45-IP-SA	1GbE Ethernet access module with onboard processing
MIO-AES-IP-SA	Dual AES67 encapsulator and de-encapsulator
MIO-AES-IN4-IP-SA	Quad AES67 encapsulator
MIO-AES-OUT4-IP-SA	Quad AES67 de-encapsulator
MIO-AES-D4-SA	AES audio de-embedder module
MIO-MADI-2-IP-SA	Single MADI encapsulator and de-encapsulator
MIO-DANTE-64-SA	Dante® to TDM bridge module
MIO-IT-IP-SA	Intercom transceiver module (2x analog audio in/out, 2x serial data, 4x GPIO), dual slot
MIO-AVT-SA	Analog video/Black Burst transmit module with loop out
MIO-AVR-SA	Analog video/Black Burst receive module
MIO-USB-A-SA	USB-A HID interface
MIO-USB-B-SA	USB-B HID interface
MIO-HDMI-IN-3G-SA	HDMI input access module
MIO-HDMI-OUT-3G-SA	HDMI output access module
MIO-HDMI-IN-4K-SA	4K SDI or HDMI input module, dual slot
MIO-HDMI-OUT-4K-SA	4K SDI or HDMI output module, dual slot
MIO-HDMI-IN1-4K-IP-SA	HDMI input module with onboard processing, dual slot
MIO-HDMI-OUT1-4K-IP-SA	HDMI output module with onboard processing, dual slot
MIO-HDMI-2-4K-IP	HDMI microservice module
MIO-BLADE-Z21	Microservice module
MIO-DE4-3G-SA	3G/HD/SD-SDI SCTE/data/LTC/GPI embedding module
MIO-DD4-3G-SA	3G/HD/SD-SDI SCTE/data/LTC/GPI de-embedding module
SFP Interface Options:	
SFPTR-13	SFP optical non-reclocked transceiver, 3Gb/s, 1310nm, SMF
SFPTR-13-R	SFP optical reclocked transceiver, 3Gb/s, 1310nm, SMF
SFP3TR-13-12G	SFP optical reclocked transceiver, 12Gb/s, 1310nm, SMF
SFP12G-T13-2	SFP optical reclocked dual transmitter, 12Gb/s, 1310nm, SMF
SFP12G-R-2	SFP optical reclocked dual receiver, 12Gb/s, 1310nm, SMF
SFPTR-M-HDBNC-R	SFP electrical reclocked transceiver, 12Gb/s, HD-BNC
SFP3T13-2	SFP dual optical non-reclocked transmitter, 3Gb/s, 1310nm, SMF
SFP3T13-2-S	SFP dual optical non-reclocked transmitter, 3Gb/s, short haul 1310nm, SMF
SFP3T-xx/yy-2	SFP dual optical non-reclocked transmitter, 3Gb/s, CWDM, SMF
SFP3R-2	SFP dual optical non-reclocked receiver, 3Gb/s, standard sensitivity, SMF
SFPTR-RJ45-SGM-AV	Single 10/100/1Gbps RJ-45 SFP module
SFP25G-TR13	SFP, 25Gb/s, SMF
SFP10G-TR13-A	SFP, 10Gb/s, SMF