

TABLE OF CONTENTS

1.	OVERVIEW.....	1
2.	INSTALLATION.....	2
3.	SPECIFICATIONS.....	3
3.1.	AES AUDIO INPUTS.....	3
3.2.	AES AUDIO OUTPUTS.....	3
3.3.	WORD CLOCK OUTPUTS.....	3
3.4.	ELECTRICAL.....	3
3.5.	PHYSICAL.....	3
4.	STATUS LEADS.....	4
5.	JUMPERS AND USER ADJUSTMENTS.....	5
5.1.	INPUT TERMINATION JUMPER.....	5
5.2.	SELECTING WHETHER LOCAL FAULTS WILL BE MONITORED BY THE GLOBAL FRAME STATUS.....	6

Figures

Figure 1-1:	520DARS-W Block Diagram.....	1
Figure 2-1:	520DARS-W Rear Panel Overlay.....	2
Figure 5-1:	LED and Jumper Locations.....	5

REVISION HISTORY

<u>REVISION</u>	<u>DESCRIPTION</u>	<u>DATE</u>
1.0	Original Version	Nov 04
1.1	Fixed formatting and typos	Jul 07

Information contained in this manual is believed to be accurate and reliable. However, Evertz assumes no responsibility for the use thereof nor for the rights of third parties, which may be effected in any way by the use thereof. Any representations in this document concerning performance of Evertz products are for informational use only and are not warranties of future performance, either express or implied. The only warranty offered by Evertz in relation to this product is the Evertz standard limited warranty, stated in the sales contract or order confirmation form.

Although every attempt has been made to accurately describe the features, installation and operation of this product in this manual, no warranty is granted nor liability assumed in relation to any errors or omissions unless specifically undertaken in the Evertz sales contract or order confirmation. Information contained in this manual is periodically updated and changes will be incorporated into subsequent editions. If you encounter an error, please notify Evertz Customer Service department. Evertz reserves the right, without notice or liability, to make changes in equipment design or specifications.

1. OVERVIEW

The 520DARS-W provides an economical method of distribution for your AES digital audio signals. The DA's feature one auto-equalized input with 5 reclocked audio outputs and 4 word clock outputs.

The 520DARS-W is housed in the 500FR **exponent** Frame that will hold up to 16 modules.

Features:

- Supports SMPTE 276M standard for AES audio on 75 Ω coax
- 5 reclocked outputs provides jitter reduction
- 4 word clock outputs
- Automatic equalization provides extended cable length capabilities
- High impedance or 75 ohm termination on input (jumper selectable)
- Card edge indicators for AES present, reclocker rate and AES validity bit
- Tally output of input error conditions

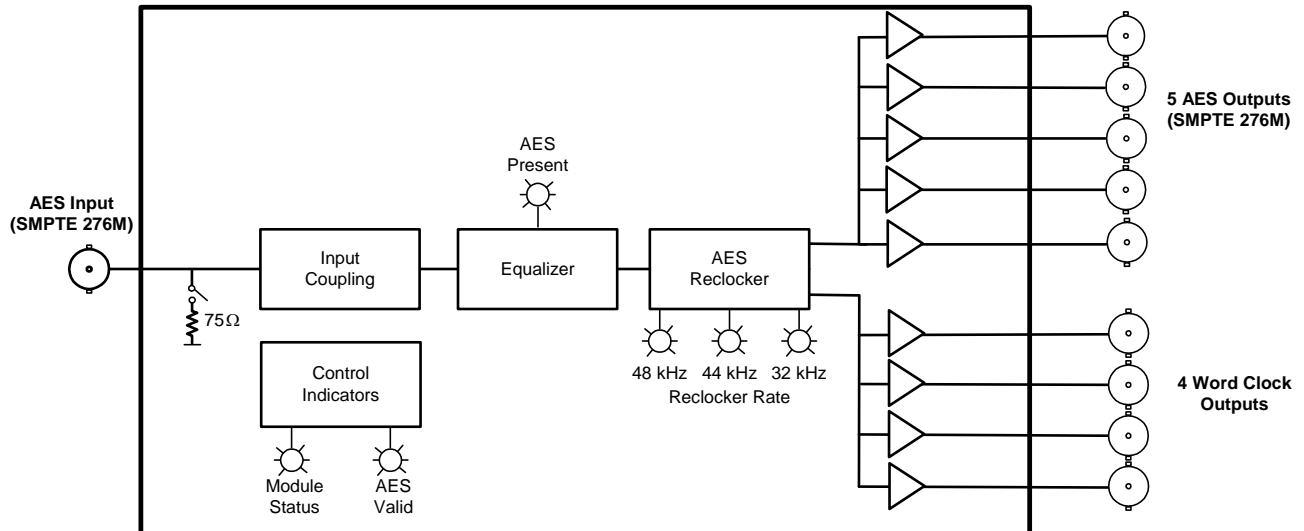


Figure 1-1: 520DARS-W Block Diagram

2. INSTALLATION

The 520DARS-W comes with a companion rear panel overlay that can be placed over the rear panel BNC connectors to identify their function. For information on inserting the module into the frame see section 3 of the 500FR chapter.

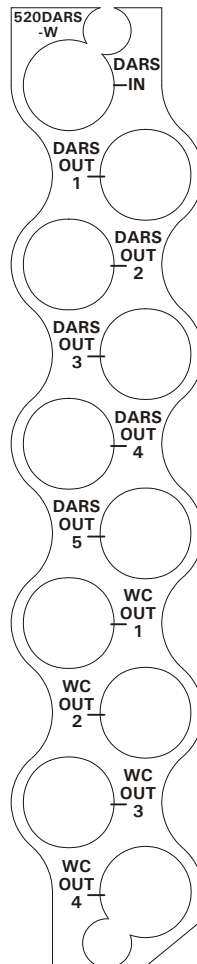


Figure 2-1: 520DARS-W Rear Panel Overlay

- IN** Input BNC connector for unbalanced AES audio signals compatible with the SMPTE 276M standard.
- OUT 1 to 5** There are five BNC connectors with reclocked unbalanced AES, compatible with the SMPTE 276M.
- OUT 6 to 9** There are four BNC connectors carrying word clock signals associated with the AES audio.

3. SPECIFICATIONS

3.1. AES AUDIO INPUTS

Number of Inputs:	1
Standard:	SMPTE 276M, single ended AES
Connectors:	BNC per IEC 169-8
Coupling:	Transformer
Signal Level:	1Vp-p \pm 0.1V
Equalization:	Automatic to 1500m @48KHz with Belden 1694A or equivalent cable
Impedance:	75 Ohms
Return Loss:	>25 dB 100 kHz to 6 MHz
Sampling Rate:	32 kHz, 44.1 kHz, 48 kHz and 96 kHz

3.2. AES AUDIO OUTPUTS

Number of Outputs:	5 reclocked
Standard:	SMPTE 276M, single ended AES
Connectors:	BNC per IEC 169-8
Signal Level:	1Vp-p \pm 0.1V
Impedance:	75 Ohms unbalanced
Return Loss:	>25 dB 100 kHz to 6 MHz

3.3. WORD CLOCK OUTPUTS

Number of Outputs:	4
Connectors:	BNC per IEC 169-8
Signal Level:	5Vpp square wave (0-5V) \pm 0.5V
Impedance:	296 ohms
Min. Load:	300 ohms for 2.5Vpp square wave (0-2.5V)

3.4. ELECTRICAL

Voltage:	+ 12VDC
Power:	5 Watts.

3.5. PHYSICAL

Number of slots:	1
-------------------------	---

4. STATUS LEDES

The 520DARS-W has seven LED Status indicators on the front card edge to show operational status of the card at a glance. Figure 5-1 shows the location of the LEDs.

Two large LEDs on the front of the board indicate the general health of the module

LOCAL FAULT: This Red LED indicates poor module health and will be On during the absence of a valid input signal, or if a local input power fault exists (i.e.: a blown fuse). The LOCAL FAULT indication can also be reported to the frame through the FRAME STATUS jumper.

MODULE OK: This Green LED indicates good module health. It will be On when a valid input signal is present, and the board power is good.

There are five small LEDs that indicate the status of the input AES audio.

AES PRESENT: This LED will be On when there is an AES carrier present at the input to the module.

48 kHz: The reclocker is currently locked to 48 kHz

44 kHz: The reclocker is currently locked to 44.1 kHz

32 kHz: The reclocker is currently locked to 32 kHz

AES VBIT This LED indicates the status of the AES validity bit. When the LED is Off it indicates that the AES sample data is suitable for conversion to an analog audio signal. When the LED is On it indicates that the AES sample data is carrying data such as Dolby E and is not suitable for conversion to an analog audio signal.

5. JUMPERS AND USER ADJUSTMENTS

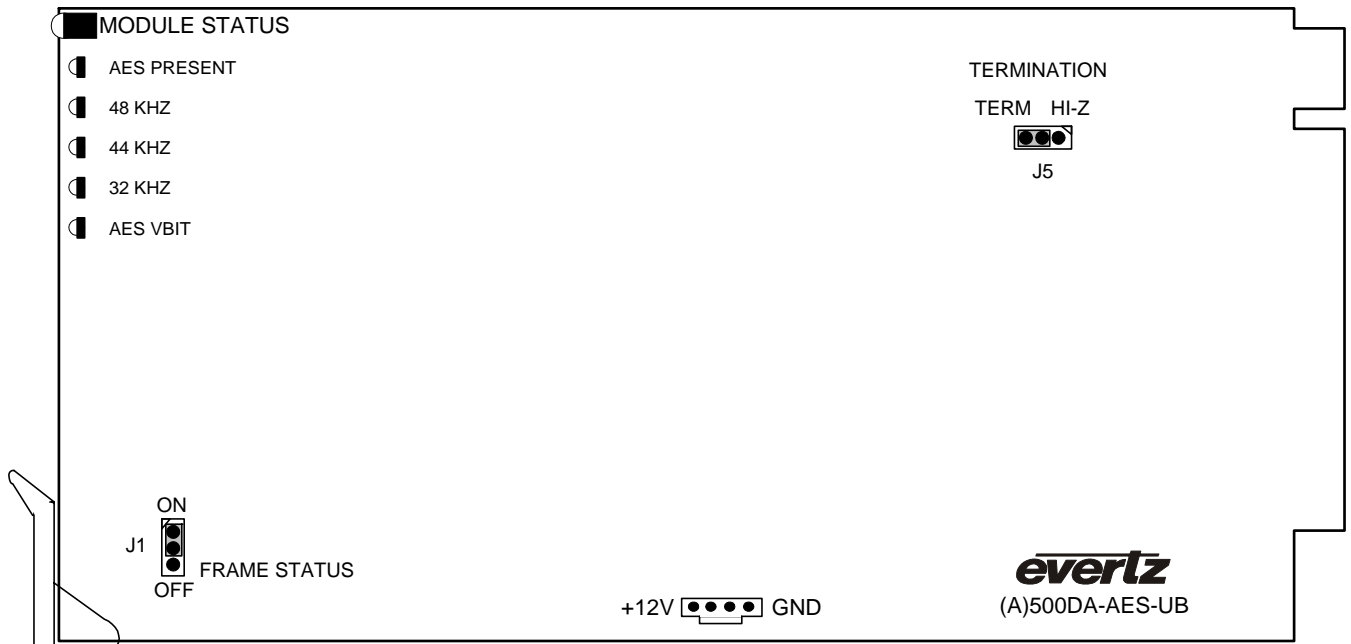


Figure 5-1: LED and Jumper Locations

5.1. INPUT TERMINATION JUMPER

The TERMINATION jumper J5, located at the rear of the module, determines whether the input signal will be terminated or not.

TERMINATION

When set in the "TERM" position, (default) the input impedance is set to 75 Ohms. Use this position when the cable stops at this card. It will provide the proper impedance to eliminate electrical reflections.

If set to "UNTERM", the input will be high impedance. Use this position when the signal does NOT stop at this card. Install a "T" connector on the INPUT BNC to "loop" the signal through this card.



WARNING: Make sure that the final destination of the signal is terminated. Otherwise, reflections will occur affecting the signal throughout the cable.

5.2. SELECTING WHETHER LOCAL FAULTS WILL BE MONITORED BY THE GLOBAL FRAME STATUS

The FRAME STATUS jumper J1, located at the front of the module, determines whether local faults (as shown by the Local Fault indicator) will be connected to the 500FR frame's global status bus.

FRAME STATUS: To monitor faults on this module with the frame status indicators (on the power supply's FRAME STATUS LED's and on the Frame's Fault Tally output) install this jumper in the On position.

When this jumper is installed in the Off position local faults on this module will not be monitored.