

TABLE OF CONTENTS

1.	OVERVIEW.....	1
2.	INSTALLATION.....	3
2.1.	OPTICAL CONNECTIONS.....	3
2.1.1.	Single Fiber Versions	4
2.1.2.	Standard Dual Fiber Version (-F2 version).....	4
2.2.	SIGNAL CONNECTIONS	5
2.2.1.	Multi-Pin Terminal Block Installation	5
2.2.2.	Serial Data Connections	7
2.2.3.	LTC Connections	8
2.2.4.	GPIO Connections (7707DT-GPIO Versions Only).....	8
2.3.	GENERAL PURPOSE INPUTS AND OUTPUTS.....	8
2.4.	CARE AND HANDLING OF OPTICAL FIBER.....	9
2.4.1.	Safety	9
2.4.2.	Assembly.....	9
2.4.3.	Labeling.....	10
2.4.4.	Handling and Connecting Fibers.....	10
3.	SPECIFICATIONS.....	11
3.1.	RS-422/485 SERIAL DATA.....	11
3.2.	RS-232 SERIAL DATA.....	11
3.3.	LTC DATA	11
3.4.	GENERAL PURPOSE INPUTS (7707DT-GPIO ONLY).....	11
3.5.	GENERAL PURPOSE OUTPUTS (7707DT-GPIO ONLY).....	11
3.6.	OPTICAL INPUT/OUTPUT	12
3.7.	ELECTRICAL	12
3.8.	PHYSICAL.....	12
4.	CARD-EDGE MONITORING AND CONTROL	13
4.1.	STATUS INDICATOR LEADS	13
4.2.	CARD-EDGE DISPLAY AND CONTROLS.....	14
4.2.1.	Card-Edge Display Warning Indications.....	16
4.2.2.	Displaying the Optical Power	16
4.2.3.	Selecting the Signal Status Indication Mode.....	16

4.2.4. Selecting the Serial Data Type.....	18
4.2.5. Selecting the Serial Data Rate	18
4.2.6. Selecting the Serial Data Termination.....	19
4.2.7. Selecting the Serial Data Failsafe Bias	20
4.3. CONNECTING RS422 DEVICES BETWEEN MASTER AND SLAVE	20
5. JUMPER CONTROLS.....	21
5.1. SELECTING THE CARD ID	21
5.2. SELECTING WHETHER LOCAL FAULTS WILL BE MONITORED BY THE GLOBAL FRAME STATUS.....	21
5.3. CONTROL JUMPER (No Longer Used)	21
5.4. CONFIGURING THE MODULE FOR FIRMWARE UPGRADES	21
6. VISTALINK® REMOTE MONITORING/CONTROL	22
6.1. WHAT IS VISTALINK®?.....	22
6.2. VISTALINK® MONITORED PARAMETERS	22
6.3. VISTALINK® CONTROLLED PARAMETERS	23
6.4. VISTALINK® TRAPS.....	23
7. APPENDIX - MPK ROUTER CONTROL INTERFACE TO 7707DT	24
7.1. OVERVIEW.....	24
7.2. INTERFACE METHODS.....	26
7.2.1. MPK Interface to RS-422	26
7.2.2. MPK Interface to RS-485	29
7.3. TERMINATION AND FAILSAFE BIAS	31

Figures

Figure 1-1: 7707DT Block Diagram.....	2
Figure 2-1: 7707DT Rear Panels	3
Figure 2-2: Terminal Block Wiring	5
Figure 2-3: 7707DT Terminal Block Signal Connections	6
Figure 2-4: 7707DT-GPIO Terminal Block Signal Connections.....	7
Figure 2-5: General Purpose Inputs and Outputs	9
Figure 2-6: Reproduction of Laser Certification and Identification Label	10
Figure 4-1: Location of Status Indicators and Jumpers	13
Figure 4-2: Card-edge Menu Quick Reference	15
Figure 7-1: RS-422 Interface Example.....	25
Figure 7-2: RS-485 Interface Example.....	25
Figure 7-3: MPK Interface Example	25
Figure 7-4: MPK Interface to RS-422 - Correct Method.....	26
Figure 7-5: MPK Interface to RS-422 - Incorrect Method	27
Figure 7-6: MPK Interface to RS-422	28
Figure 7-7: MPK Interface to RS-485	29
Figure 7-8: MPK Interface to RS-485	30

Tables

Table 1-1: Typical Application Configurations.....	2
Table 4-1: Connecting RS422 Signals Between Master & Slave	20
Table 6-1: <i>VistaLINK</i> [®] Monitored Parameters.....	22
Table 6-2: <i>VistaLINK</i> [®] Controlled Parameters	23
Table 6-3: <i>VistaLINK</i> [®] Traps	23

REVISION HISTORY

<u>REVISION</u>	<u>DESCRIPTION</u>	<u>DATE</u>
0.1	Preliminary version	Jul 2003
1.0	First Official release - added info on CARD ID jumper for single fiber versions	Aug 2003
1.1	Updated 7707DT-GPIO pinout and expanded descriptions for this option; Updated Vistalink related items; Removed Local Fault jumper	Feb 2005
1.2	Added Master/Slave RS422 configuration	May 2005
1.3	Updated safety section and added assembly and labeling sections	Aug 2005
1.4	Included terminal block installation diagram and Appendix-MPK Router Control	Oct 2007
1.5	Updated rear plate diagram	Jan 2008
1.6	Added GPO Common Pin note, moved section 5 into section 2.3, general format clean up.	Aug 2008
1.7	Added table format throughout section 4.2	Apr 2009
1.8	Added information to section 4.2.3 regarding DI, DO, & DIO indications.	Apr 2010

Information contained in this manual is believed to be accurate and reliable. However, Evertz assumes no responsibility for the use thereof nor for the rights of third parties, which may be affected in any way by the use thereof. Any representations in this document concerning performance of Evertz products are for informational use only and are not warranties of future performance, either expressed or implied. The only warranty offered by Evertz in relation to this product is the Evertz standard limited warranty, stated in the sales contract or order confirmation form.

Although every attempt has been made to accurately describe the features, installation and operation of this product in this manual, no warranty is granted nor liability assumed in relation to any errors or omissions unless specifically undertaken in the Evertz sales contract or order confirmation. Information contained in this manual is periodically updated and changes will be incorporated into subsequent editions. If you encounter an error, please notify Evertz Customer Service department. Evertz reserves the right, without notice or liability, to make changes in equipment design or specifications.



Never look directly into an optical fiber. Non-reversible damage to the eye can occur in a matter of milliseconds.



Do not hook up the 7707DT DWDM cards directly with a short fiber optic cable. The 7707DT DWDM cards produce +7dBm of power, which will damage the receiver if connected directly.

This page left intentionally blank

1. OVERVIEW

The 7707DT series Fiber Data Transceivers provide an economical method of transmitting multiple bi-directional RS-232, RS-422, RS-485 data signals as well as Linear Time Code (LTC) over a single fiber optic link. Another 7707DT Data Transceiver facilitates conversion back to RS-232, RS-422, RS-485 data signals and LTC at the destination. The 7707DT-GPIO version provides additional channels of RS-232, and General Purpose Input/Outputs (GPIO). A pair of 7707DT Data Transceivers permits bi-directional data transmission over distances up to 50 Km, with minimum possible latency.

Two optical interface configurations allow the user to choose the optimal function /price /performance ratio to suit a particular application. The standard configuration transmits and receives over a single fiber. The dual fiber configuration is compatible with CWDM systems and is designed to transmit and receive over separate fibers. The optical output of the 7707DT is available in 1310nm, 1550nm, or any one of up to sixteen CWDM wavelengths.

Features:

- 7707DT version transports four RS-422 or RS-485, three RS-232, and one LTC.
- 7707DT-GPIO version transports four RS-422 or RS-485, eight RS-232, eight GPIO, one LTC.
- Selectable termination and failsafe bias settings for RS-422/485 data inputs.
- Selectable network timeouts for RS-485 accommodate twelve data rates.
- All configuration settings are controllable through the card-edge user interface, or *VistaLINK*®.
- Comprehensive signal and status monitoring via four-digit card-edge display, or *VistaLINK*®.
- Optical output wavelengths of 1310nm, 1550nm, and up to sixteen CWDM wavelengths (ITU-T G.694.2 compliant).
- DWDM wavelengths also available (ITU-T G.694.1 compliant).
- Compatible with multi-mode and single-mode fiber (dual fiber version).
- SC/PC, ST/PC, or FC/PC fiber connector options.
- Fully hot swappable from front of frame.
- *VistaLINK*® enabled for remote monitoring and control when installed in 7700FR-C frame with 7700FC *VistaLINK*® Frame Controller.

Fiber Type	Fiber Links	Optical/Link Budget	Transmit Side		Receive Side		Description
			Ordering Product Info	TX Power	Ordering Product Info	RX Sensitivity	
Multi-Mode	2	< 3km	7707DT13-F2	-7dBm	7707DT13-F2	-28dBm	1310nm on Tx & Rx fibers
Single-Mode	2	21dB/50km	7707DT13-F2	-7dBm	7707DT13-F2	-28dBm	1310nm on Tx & Rx fibers
Single-Mode	1	14dB/30km*	7707DT13	-10dBm	7707DT13	-24dBm	1310nm, bi-directional, one fiber
Single-Mode	1(WDM)	25dB/60km	7707DT13M-W	-1dBm	7707DT15-W	-26dBm	1310nm/1550nm, WDM, bi-directional on one fiber
Single-Mode	1(CWDM)	24dB/80km**	7707DTxx-F2	0dBm	7707DTyy-F2	-28dBm	Different CWDM wavelengths on Tx & Rx, with 8 channel CWDM Mux/Demux**
Single-Mode	1(DWDM)	31dB/105km**	7707DTxxxx-F2	+7dBm	7707DTyyyy-F2	-28dBm	Different DWDM wavelengths on Tx & Rx, with 8 channel DWDM Mux/Demux**

*With >20dB return loss on fiber Interface
 **Assume 8 Ch Mux/Demux loss of 3.5dB

Tx Power/Rx Sensitivity are nominal values \pm 1dBm
 Fiber Loss = 0.4/0.3dB per km @ 1310nm/1550nm

Table 1-1: Typical Application Configurations

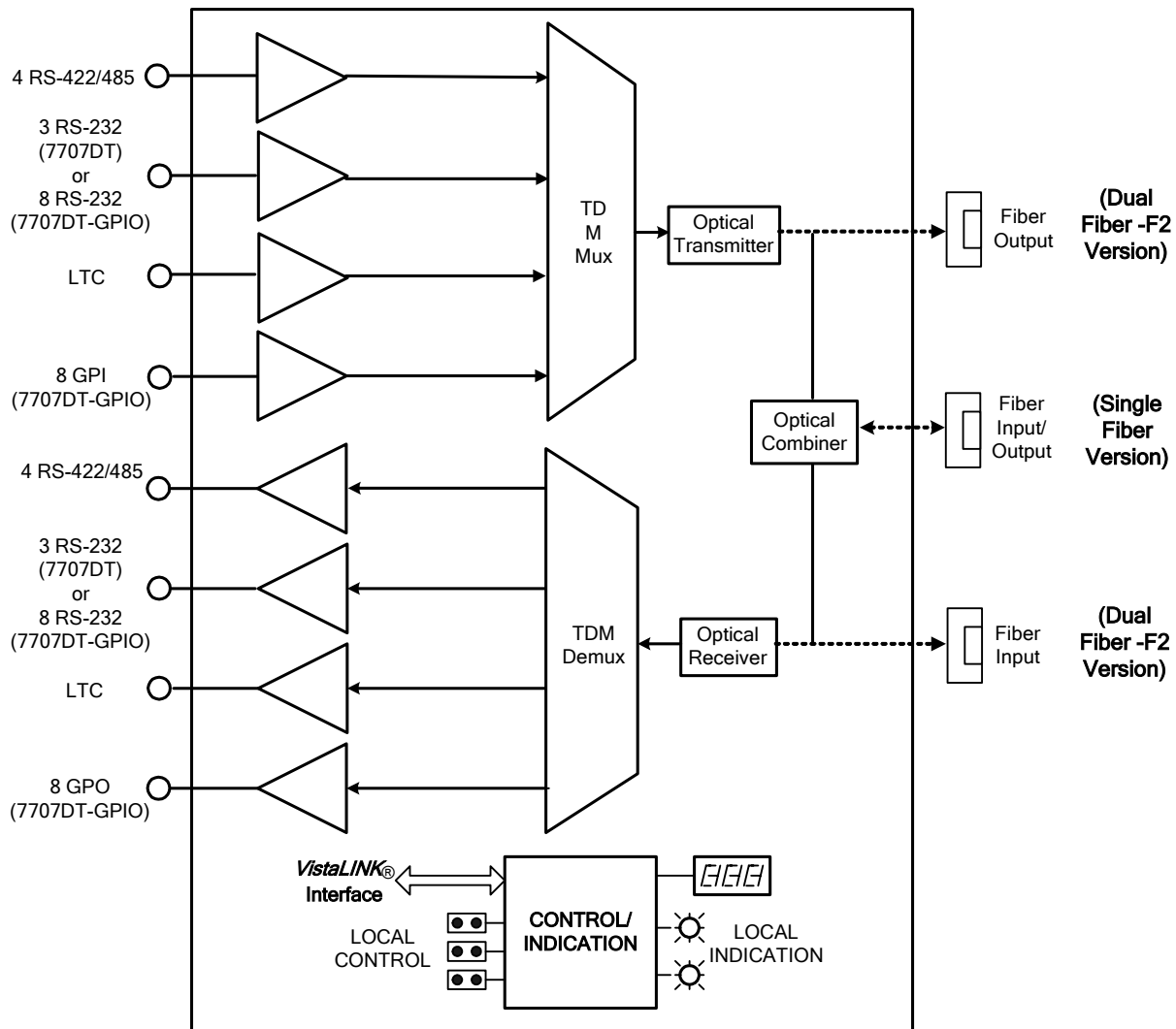


Figure 1-1: 7707DT Block Diagram

2. INSTALLATION

The 7707DT series modules come with a companion rear plate that has multi-pin removable terminal block connections, and an SC/PC (shown), ST/PC or FC/PC optical connector. For information on mounting the rear plate and inserting the module into the frame see section 3 of the 7700FR chapter. The following diagram shows four rear plate options.

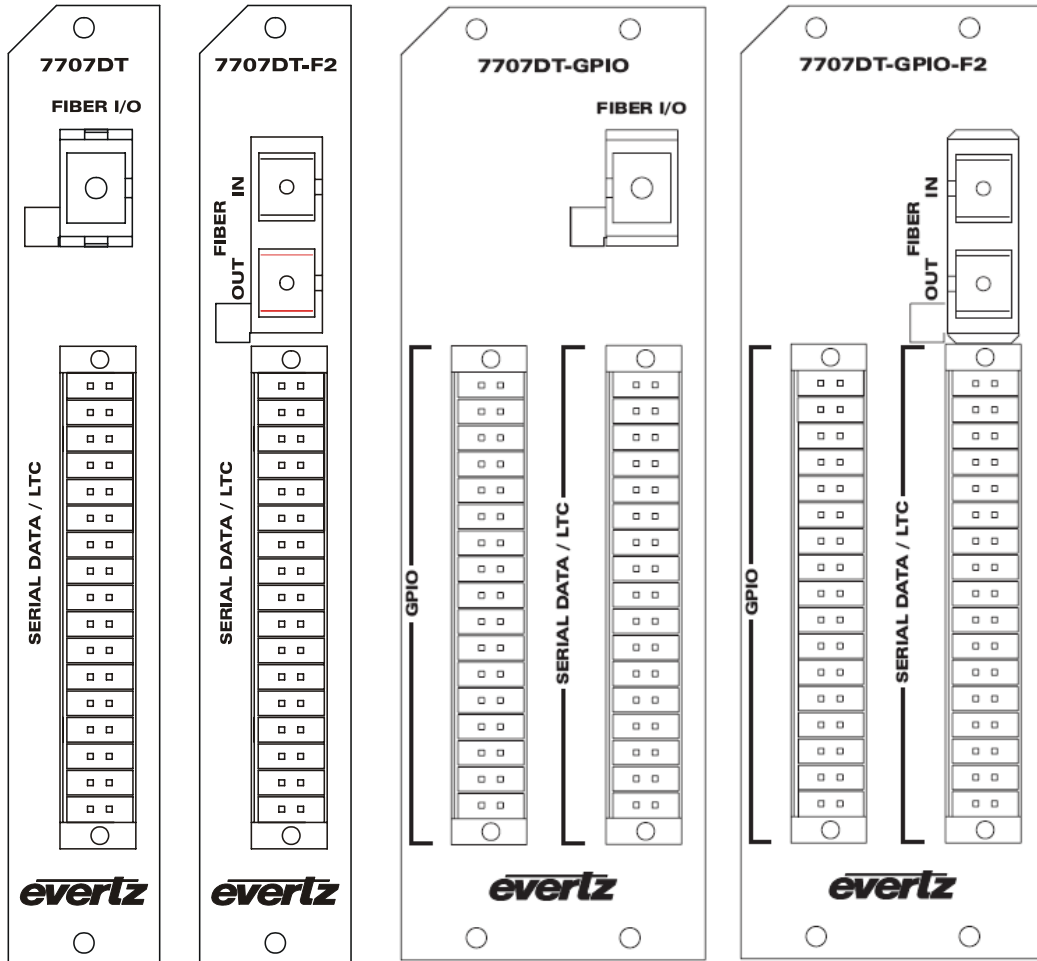


Figure 2-1: 7707DT Rear Panels

2.1. OPTICAL CONNECTIONS



The 7707DT modules are designed to work with single-mode or multi-mode optical fiber depending on the version ordered.

2.1.1. Single Fiber Versions

FIBER I/O: There is one SC/PC (shown), ST/PC or FC/PC female connector with the optical input/output from the 7707DT. This connector should be connected to the matching connector of a matching single fiber 7707DT module at the destination end with a suitable fiber optic cable.

All single fiber versions of the 7707DT are designed to work with single-mode fiber optic cable. Single fiber 7707DT and 7707DT-GPIO versions use 1310nm wavelengths. Single fiber 7707DT-W and 7707DT-GPIO-W versions use 1310nm or 1550nm wavelengths and have their associated transmit wavelength marked on the rear panel. Configuration of the CARD ID jumper is required for single-fiber 7707DT and 7707DT-GPIO versions only. Refer to section 5.1 for details about the CARD ID jumper.

2.1.2. Standard Dual Fiber Version (-F2 version)

FIBER IN: There is one SC/PC (shown), ST/PC or FC/PC female connector with the optical input to the module. This connector should be connected to the FIBER OUT connector of a matching dual fiber 7707DT-F2 module at the destination end with a suitable fiber optic cable. The dual fiber 7707DT-F2 versions receive on wavelengths in the 1270 to 1610nm range accommodating standard, CWDM or DWDM transmission schemes.

FIBER OUT: There is one SC/PC (shown), ST/PC or FC/PC female connectors with the optical output from the module. This optical output is available in 1310nm, 1550nm, and up to sixteen CWDM wavelengths (ITU-T G.694.2 compliant). This connector should be connected to the FIBER IN connector of a matching dual fiber 7707DT-F2 module at the destination end with a suitable fiber optic cable. The dual fiber 7707DT-F2 versions transmit on the wavelength marked on the rear panel and are designed to work with either single-mode fiber optic cable. The dual fiber 7707DT-F2 versions are compatible with multi-mode fiber when connected directly to a companion 7707DT-F2 module.

2.2. SIGNAL CONNECTIONS

2.2.1. Multi-Pin Terminal Block Installation

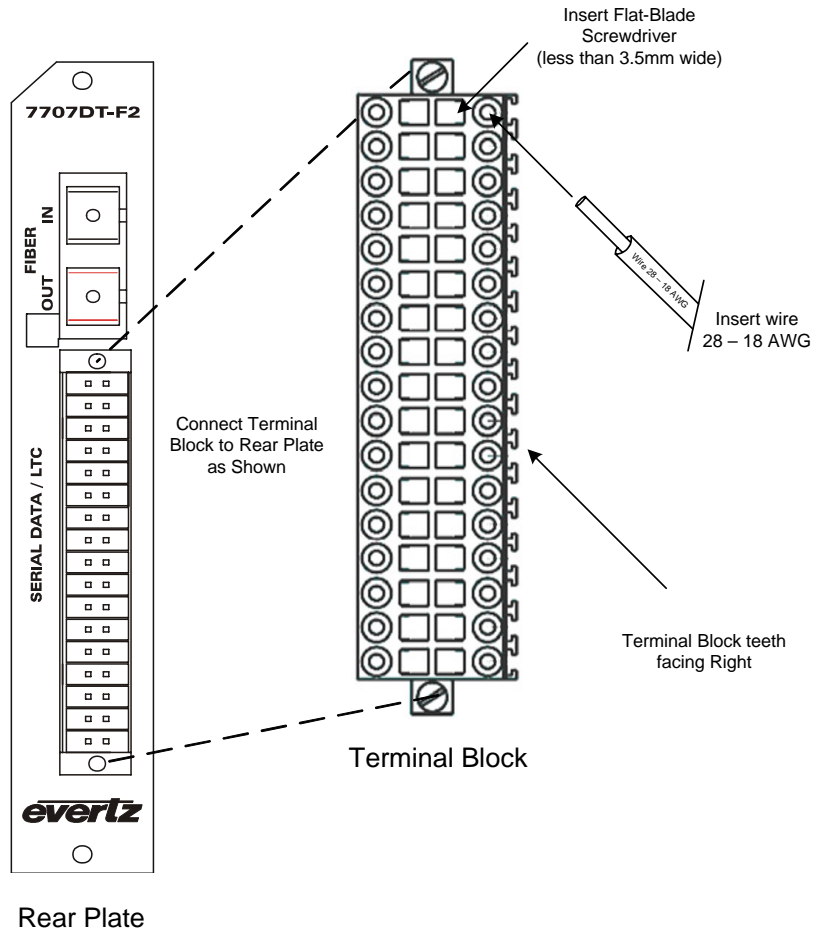


Figure 2-2: Terminal Block Wiring

Simultaneously insert the signal wire (28-18 AWG) and screwdriver into the block as shown in Figure 2-2. The screwdriver will push a tension clamp and will allow the insertion of the wire. Wire positions correspond to detailed pin-outs shown on Figure 2-3 and Figure 2-4. Fasten screws to the rear plate at the top and bottom once connected.

SERIAL DATA / LTC: This multi-pin terminal block has the connections for bi-directional serial data and LTC. The serial data and LTC cables can be secured into the removable portion of the terminal strips using a small screwdriver. The removable part of the terminal strip is then inserted into the rear panel. Please refer to Figure 2-3 and Figure 2-4.

GPIO: On the 7707DT-GPIO versions, these multi-pin terminal blocks have the connections for bi-directional General Purpose Inputs and Outputs (GPIO). The GPIO cables can be secured into the removable portion of the terminal strips using a small screwdriver.

Figure 2-3 and Figure 2-4 show the pinout diagram for the terminal blocks of both the 7707DT and the 7707DT-GPIO versions. Please note that input/output functions of RS-422/485 pins change with configuration. The following sections describe functionality of each pin designation:

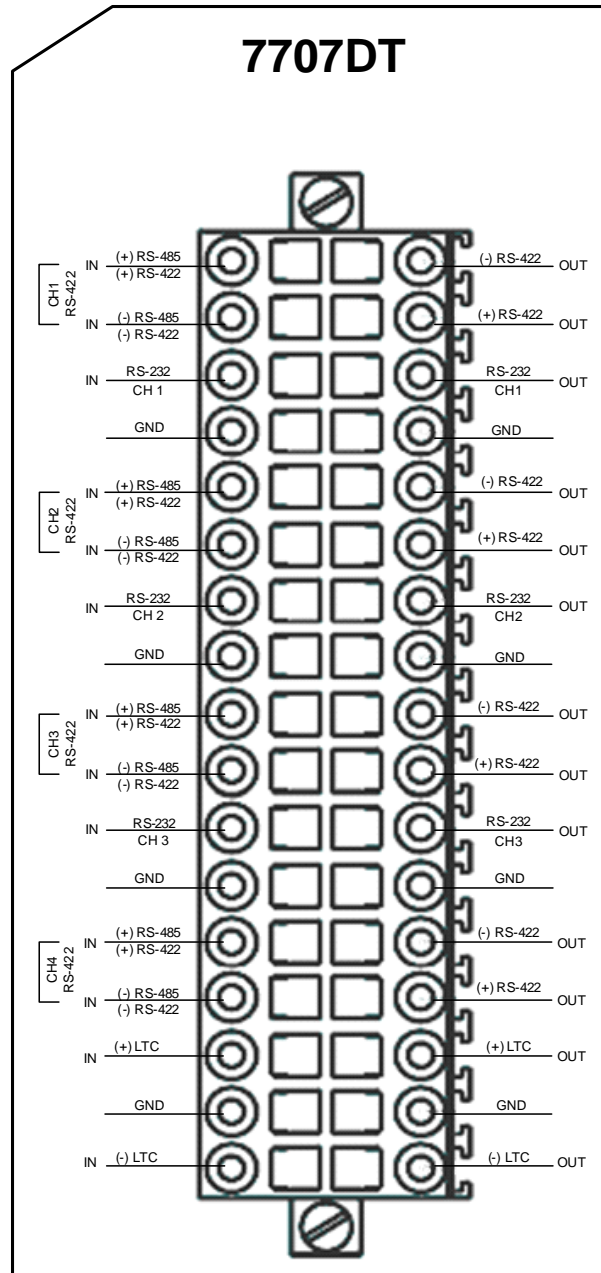


Figure 2-3: 7707DT Terminal Block Signal Connections

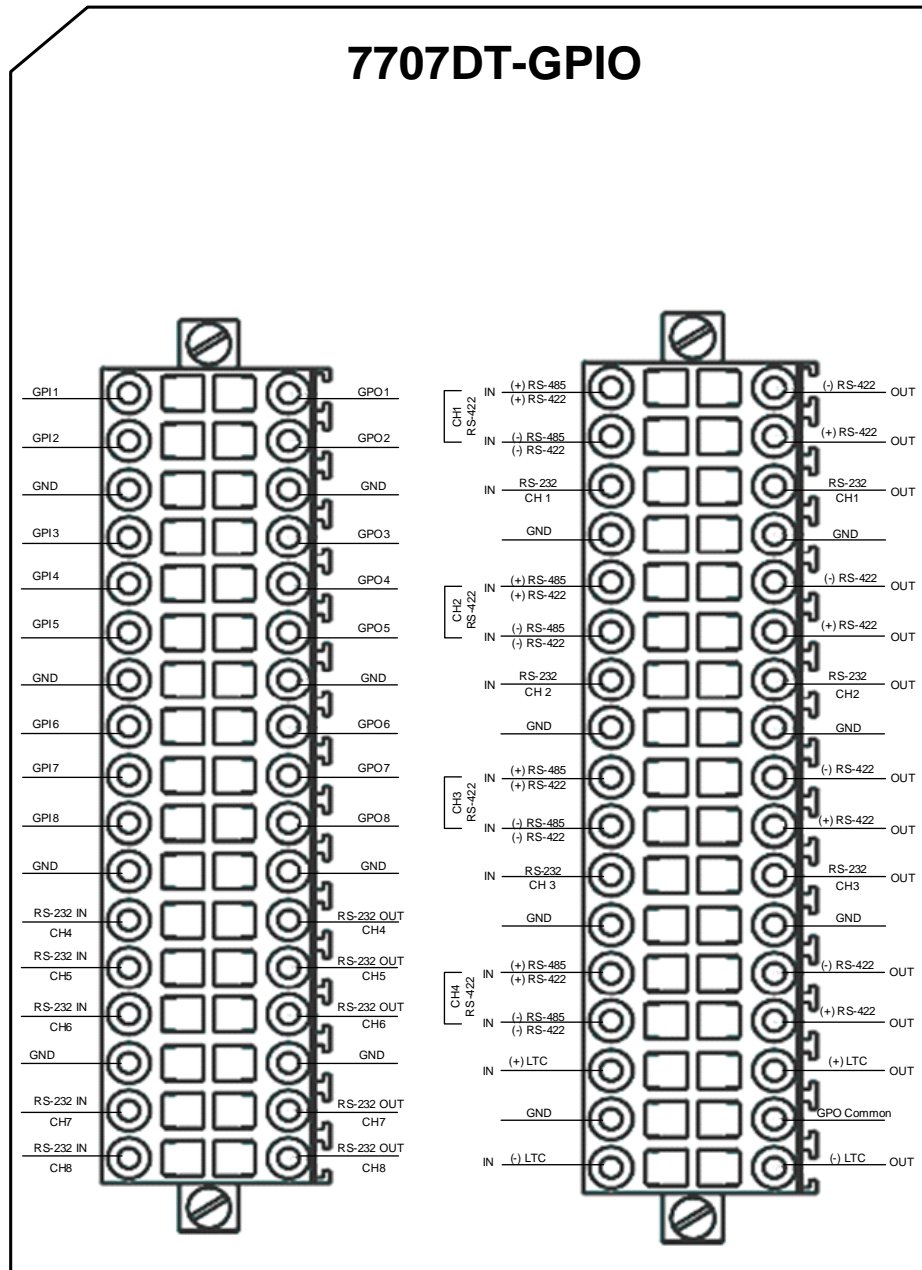


Figure 2-4: 7707DT-GPIO Terminal Block Signal Connections

2.2.2. Serial Data Connections

+RS485/+RS422 IN: Positive RS-422 input, or RS-485 input/output. When the associated channel is configured for use with RS-485, this pin becomes an RS-485 input/output. When the associated channel is configured for use with RS-422, this pin becomes an RS-422 input.

-RS485/-RS422 IN: Negative RS-422 input, or RS-485 input/output. When the associated channel is configured for use with RS-485, this pin becomes an RS-485 input/output. When the associated channel is configured for use with RS-422, this pin becomes an RS-422 input.

+RS422 OUT: Positive RS-422 output. The RS-422 interface is usable while the associated channel is configured for RS-422 use.

-RS422 OUT: Negative RS-422 output. The RS-422 interface is usable while the associated channel is configured for RS-422 use.

2.2.3. LTC Connections

+LTC IN: Positive LTC input connection.

-LTC IN: Negative LTC input connection.

+LTC OUT: Positive LTC output connection.

-LTC OUT : Negative LTC output connection.

2.2.4. GPIO Connections (7707DT-GPIO Versions Only)

GPI1 thru GPI8: General purpose inputs to the 7707DT-GPIO. See section 3.4 for electrical characteristics, and section 2.3 for connection details.

GPO1 thru GPO8: General purpose outputs from the 7707DT-GPIO. See section 3.5 for electrical characteristics, and section 2.3 for connection details.

GPO COMMON: This is the common connection for the GPO contact closures of the 7707DT-GPIO. See section 2.3 for connection details.



Please note that the GPO Common Pin is on a separate connector.

2.3. GENERAL PURPOSE INPUTS AND OUTPUTS

The 7707DT-GPIO provides the user with 8 General Purpose Inputs (GPI's) and 8 General Purpose Outputs (GPO's). Figure 2-5 shows the input and output circuitry. Refer to sections 3.4 and 3.5 for electrical specifications. The GPI input stage uses opto-isolators for isolation. The GPO output stage uses dry contact relay closures. A typical application providing a contact closure or transistor connection to ground would activate the GPI inputs.

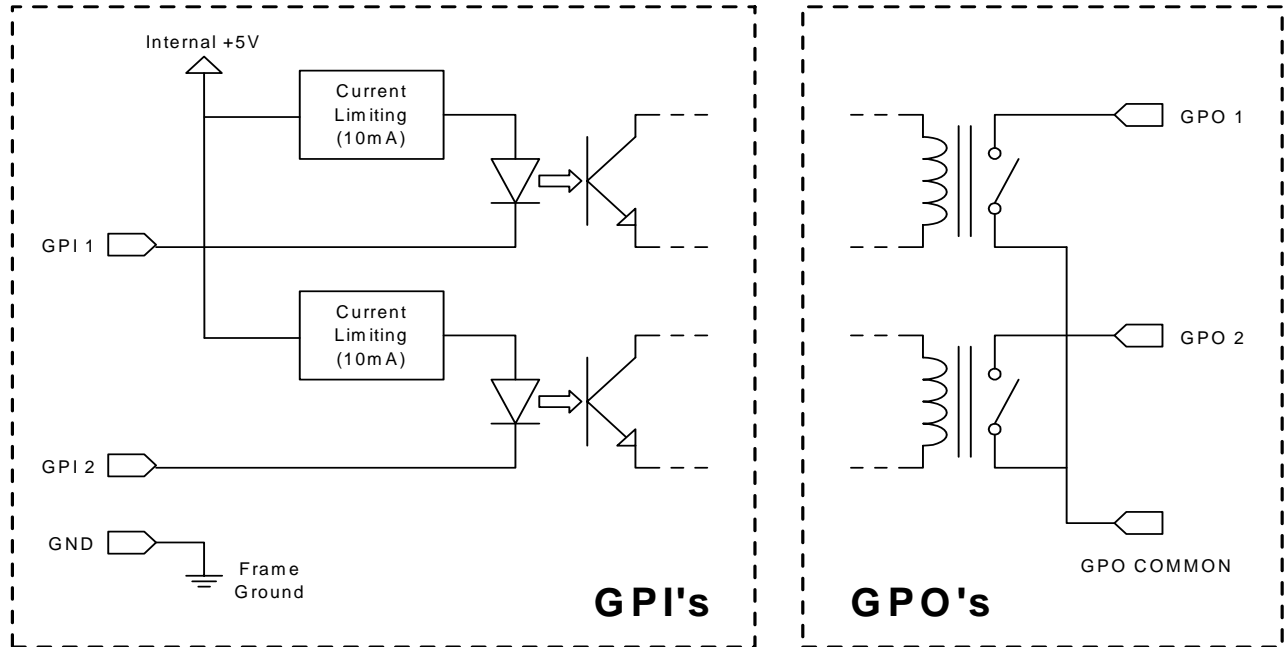


Figure 2-5: General Purpose Inputs and Outputs



Please note that the GPO Common Pin is on a separate connector.

2.4. CARE AND HANDLING OF OPTICAL FIBER

2.4.1. Safety



CLASS 1 LASER PRODUCT

Background colour: yellow
 Triangular band: black
 Symbol: black

2.4.2. Assembly

Assembly or repair of the laser sub-module is done only at Evertz facility and performed only by qualified Evertz technical personnel.

2.4.3. Labeling

Certification and Identification labels are combined into one label. As there is inadequate space on the product to place the label, it is reproduced here in the manuals.

- There is no date of manufacture on this label as it can be traced by the bar code label placed on the Printed circuit board of each Evertz plug-in module
- The Model number is one of: 7707DT-13, 7707DT13-GPIO, 7707DT13M-W, 7707DT13M-W-GPIO, 7707DT15-W, 7707DT15-W-GPIO, 7707DT13-F2, 7707DT13-F2-GPIO
- 7707DTxx (xx = 27, 29, 31, 33, 35, 37, 43, 45, 47, 49, 51, 53, 55, 57, 59, 61)
7707DTDyyy (Dyyy represents ITU Grid Channel: D200, D210, D220, D230, D240, D250, D260, D270, D280, D290, D300, D310, D320, D330, D340, D350, D360, D370, D380, D390, D400, D410, D420, D430, D440, D450, D460, D470, D480, D490, D500, D510, D520, D530, D540, D550, D570, D580, D590, D600)

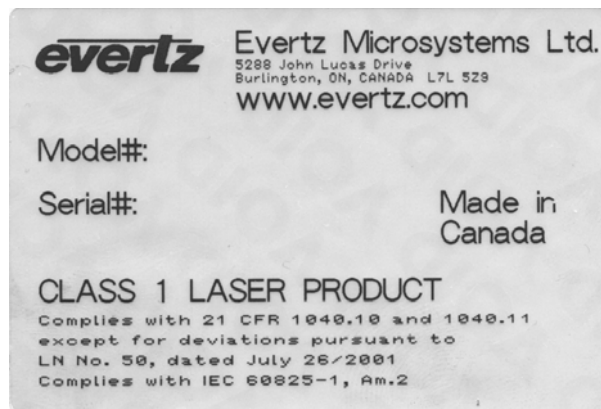


Figure 2-6: Reproduction of Laser Certification and Identification Label

2.4.4. Handling and Connecting Fibers



Never touch the end face of an optical fiber. Always keep dust caps on optical fiber connectors when not connected and always remember to properly clean the optical end face of a connector before making a connection.

The transmission characteristics of the fiber are dependent on the shape of the optical core and therefore care must be taken to prevent fiber damage due to heavy objects or abrupt fiber bending. Evertz recommends that you maintain a minimum bending radius of 5 cm to avoid fiber-bending loss that will decrease the maximum attainable distance of the fiber cable. The Evertz fiber optic modules come with cable lockout devices, to prevent the user from damaging the fiber by installing a module into a slot in the frame that does not have a suitable I/O module. For further information about care and handling of the fiber optic cable see section 3 of the Fiber Optics System Design section of this manual binder.

3. SPECIFICATIONS

3.1. RS-422/485 SERIAL DATA

Number of Signals:	4 Inputs/Outputs
Connector:	Multi-pin Removable Terminal Block
Signal Type:	RS-485 or RS-422 (selectable)
Input Termination:	110Ω or Open (selectable)
Input Failsafe Bias:	200mV (3.3mA into 60Ω) or None (selectable)
Bit Rate (max):	
RS-422:	460Kb/s
RS-485:	1.2Kb/s, 2.4Kb/s, 4.8Kb/s, 9.6Kb/s, 19.2Kb/s, 38.4Kb/s, 57.6Kb/s, 76.8Kb/s, 115Kb/s, 153Kb/s, 230Kb/s, or 460Kb/s (selectable)

3.2. RS-232 SERIAL DATA

Number of Signals:	3 Inputs/Outputs
Connector:	Multi-pin Removable Terminal Block
Signal Type:	RS-232
Bit Rate (max):	115Kb/s

3.3. LTC DATA

Number of Signals:	1 Input/Output
Connector:	Multi-pin Removable Terminal Block
Signal Type:	SMPTE 12M Linear Time Code
Input Level:	0.2 to 4V p-p (balanced or unbalanced)
Rise/Fall Times:	40μs ± 10μs
Output Level:	1V p-p nominal (balanced)

3.4. GENERAL PURPOSE INPUTS (7707DT-GPIO ONLY)

Number of Signals:	8 Inputs
Connector:	Multi-pin Removable Terminal Block
Type:	Opto-isolated, Active low
Input Voltage:	
Safe Voltage Range:	-20V to +10V
Off Condition (min):	+3.5V
On Condition (max):	+2.5V (active low)
Input Current (min):	1mA
Input Current (max):	10mA (internally limited)

3.5. GENERAL PURPOSE OUTPUTS (7707DT-GPIO ONLY)

Number of Signals:	8 Outputs
Connector:	Multi-pin Removable Terminal Block
Output Type:	Dry contact relay closure, normally open
Output Current (min):	100mA

3.6. OPTICAL INPUT/OUTPUT

Connector:

Single Fiber version: 1 Bi-directional optical connector: SC/PC, ST/PC or FC/PC female housing
Dual Fiber (F2) version: 2 optical connector: SC/PC, ST/PC or FC/PC female housing

Maximum Input Power:

Single fiber versions: 0 dBm
Dual fiber (F2) versions: 0 dBm

Input Optical Sensitivity:

Single fiber versions: -24 dBm
Single fiber (W) versions: -26 dBm
Dual fiber (F2) versions: -28 dBm

Fiber Size and Type:

Single Fiber versions: 9 μ m core / single mode
Dual Fiber (F2) versions: 9 μ m core / single-mode on TX, 62.5 μ m core / multi-mode on RX

Output Wavelengths:

Standard: 1310nm, 1550nm (nominal)
CWDM: 1270nm to 1610nm (ITU-T G.694.2 compliant)
DWDM: 1530nm to 1560nm (ITU-T G.694.1 compliant)

Output Power:

Single fiber version:

1310nm FP (Standard): -10 dBm \pm 1dBm
1310 & 1550 (W Versions): -1 dBm \pm 1dBm

Dual fiber version:

1310nm FP (Standard): -7 dBm \pm 1dBm
CWDM DFB: 0 dBm \pm 1dBm
DWDM DFB: +7 dBm \pm 1dBm

3.7. ELECTRICAL

Voltage: 12V DC
Power (max): 6 Watts (Non DWDM Laser)
8 Watts (DWDM Laser)
EMI/RFI: Complies with FCC regulations for class A devices
Complies with EU EMC directive

3.8. PHYSICAL

7700 Frame Mounting:

Number of Slots:
7707DT: 1
7707DT-GPIO: 2

7701 Frame Mounting:

Number of Slots:
7707DT: 1
7707DT-GPIO: 1

4. CARD-EDGE MONITORING AND CONTROL

The 7707DT has eight LED status indicators and a 4-digit dot-matrix display on the front card-edge to show operational status of the card at a glance. The card-edge pushbutton and toggle switch are used to select various indications to the dot-matrix display and LED's. Figure 4-1 shows the locations of the indicators and pushbutton.

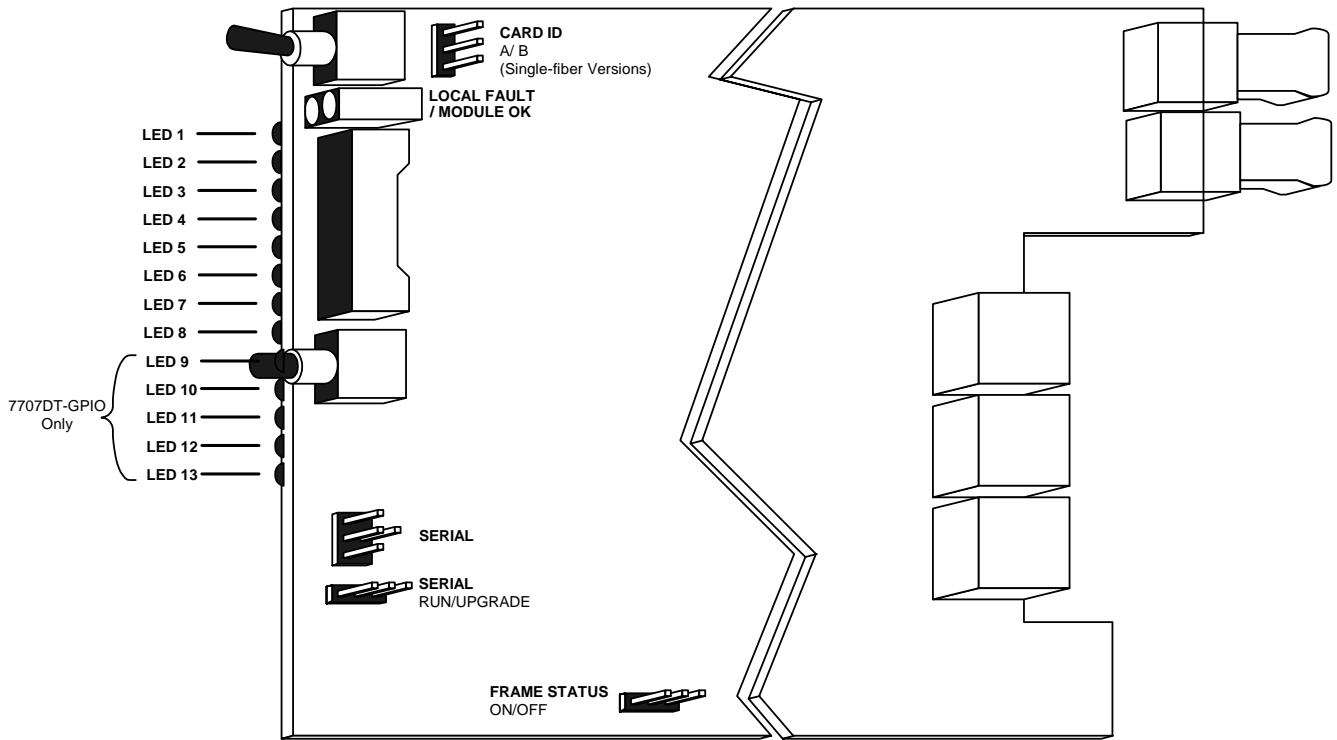


Figure 4-1: Location of Status Indicators and Jumpers

4.1. STATUS INDICATOR LEDES

LOCAL FAULT: This red LED indicates poor module health. Three conditions could cause this fault indication to be active: A link with a companion 7707DT has not been achieved, operation of the output laser is erroneous, or if a card power fault exists (i.e. a blown fuse). The LOCAL FAULT indication can also be reported to the frame by setting the FRAME STATUS jumper.

MODULE OK: This green LED indicates good module health. It will be on while a link is maintained with a companion 7707DT, the output laser is operating properly, and the card power is good.

LED 1 to LED 8/13: These green LED's indicate the signal status of the RS-422/485, RS-232, and LTC channels. Selectable modes accommodate signal presence indication of input data, output data, or both. Selectable modes of signal status indication are described in section 4.2.3 of this manual. LED designations are as follows:

7707DT Version		7707DT-GPIO Version	
LED 1	RS-422/485 Channel 1	LED 1	RS-422/485 Channel 1
LED 2	RS-422/485 Channel 2	LED 2	RS-422/485 Channel 2
LED 3	RS-422/485 Channel 3	LED 3	RS-422/485 Channel 3
LED 4	RS-422/485 Channel 4	LED 4	RS-422/485 Channel 4
LED 5	RS-232 Channel 1	LED 5	RS-232 Channel 1
LED 6	RS-232 Channel 2	LED 6	RS-232 Channel 2
LED 7	RS-232 Channel 3	LED 7	RS-232 Channel 3
LED 8	LTC	LED 8	RS-232 Channel 4
		LED 9	RS-232 Channel 5
		LED 10	RS-232 Channel 6
		LED 11	RS-232 Channel 7
		LED 12	RS-232 Channel 8
		LED 13	LTC

The 7707DT-GPIO provides additional status indicator modes, where LED1 through LED8 describe the states of the respective GPI or GPO channels.

CONTROL: This yellow LED is no longer considered by recent code versions, and if installed, should be disregarded by the user.

4.2. CARD-EDGE DISPLAY AND CONTROLS

Additional signal and status monitoring is provided via the 4-digit dot-matrix display located at the card-edge. The card-edge pushbutton and toggle-switch are used to navigate through the display menu. Figure 4-2 provides a quick reference to the display menu structure.

Pressing the pushbutton advances the display to the next menu level. The toggle-switch may then be used to move up or down through selections of that menu level. Select **BACK** to return to the previous menu level.

If a specific menu selection has a configuration value associated with it, then this may be changed using the toggle switch. Pressing the pushbutton will apply the displayed value and return you to the previous menu level.

The most recent user selection will be maintained in non-volatile memory in the event of power loss to the module.

	Menu Level 1	Menu Level 2	Menu Level 3	Menu Level 4	
	Pushbutton⇨	Pushbutton⇨	Pushbutton⇨	Pushbutton⇨	
↑ Toggle Switch ↓	Menu Selections:	Configuration Values:	Return to Level 1		
	LASR...ERR (Laser Error) Overrides				
	LINK...LOS (Link Loss) Overrides				
	OK				
	PWR (Optical Power)	-40 to +04 (dBm) LOW (less than -40dBm) OVR (greater than +4dBm)	Return to Level 3		
		Configuration Values:			
	STAT (Status)	DIO (Data In/Out Status) DI (Data In Staus) DO (Data Out Staus) GPI (GPI Status) GPO (GPO Staus)			
		Menu Selections:			
	CTRL (Control)	CH01 thru CH04	Menu Selections:	Configuration Values:	
			TYPE (Data Type)	RS422 RS485	
			1K2 2K4 4K8 9K6 19K2 38K4		
		RATE (Data Rate) (Only when TYPE=RS485)	57K6 76K8 115K 153K 230K 460K		
		TERM (Termination)	OFF ON		
		BIAS (Failsafe-bias)	OFF ON		
		BACK	Return to Level 1		

Figure 4-2: Card-edge Menu Quick Reference

4.2.1. Card-Edge Display Warning Indications

There are flashing warning indicators that may appear on the display of the 7707DT. These warning indications can overwrite other display text, and supersede each other by order of priority. By pressing the pushbutton, a warning indication can be cleared from the display, and access to other menu items is maintained. Possible warning indications are:

- LASR...ERR:** Laser error - warns of laser (if equipped) end-of-life condition.
- LINK...LOSS:** Optical link not established.
- OK:** Optical link established, no video input or laser (if equipped) problems.

4.2.2. Displaying the Optical Power

The 7707DT can measure and display optical power over a range of -40 to 0dBm in 1dBm increments. Please heed the maximum optical input power specification for the specific product option you possess. Optical power monitoring is accommodated through the card-edge interface or *VistaLINK*®. To display the optical power to the card-edge select the **PWR** indication in menu level 1.

PWR	-40 to +5	Optical input power in dBm units (see caution below).
-40 to +5	LOW	Optical input powers below -40dBm.
LOW	OVR	Optical input powers exceeding maximum (see caution below).
OVR		



CAUTION: Never exceed the maximum specified optical input power for the specific product option that you possess. See section 3.6 for optical input specifications. Exceeding the maximum optical input power can permanently damage the optical receiver.

4.2.3. Selecting the Signal Status Indication Mode

The eight green LED's (thirteen on 7707DT-GPIO) indicate the signal status of the RS-422/485, RS-232, and LTC channels. Selectable modes accommodate signal presence indication of input data, output data, or both. LED designations are as follows:

7707DT Version		7707DT-GPIO Version	
LED 1	RS-422/485 Channel 1	LED 1	RS-422/485 Channel 1
LED 2	RS-422/485 Channel 2	LED 2	RS-422/485 Channel 2
LED 3	RS-422/485 Channel 3	LED 3	RS-422/485 Channel 3
LED 4	RS-422/485 Channel 4	LED 4	RS-422/485 Channel 4
LED 5	RS-232 Channel 1	LED 5	RS-232 Channel 1
LED 6	RS-232 Channel 2	LED 6	RS-232 Channel 2
LED 7	RS-232 Channel 3	LED 7	RS-232 Channel 3
LED 8	LTC	LED 8	RS-232 Channel 4
		LED 9	RS-232 Channel 5
		LED 10	RS-232 Channel 6
		LED 11	RS-232 Channel 7
		LED 12	RS-232 Channel 8
		LED 13	LTC

The 7707DT-GPIO provides additional status indicator modes, where each LED describes the state of the respective GPI or GPO channel.

To change the card-edge LED indicator mode, select the *STAT* menu item in menu level 1. Toggle to the desired status indication selection shown in the list below. Press the pushbutton to apply the displayed selection and return to menu level 1.

<i>STAT</i>	DIO	Combines presence indications of serial data inputs and outputs.
<i>DIO</i>	DI	Input data presence indication indicating signal transitions.
<i>DI</i>	DO	Output data presence indication indicating signal transitions.
<i>DO</i>	GPI	Indication of GPO states. Active LED indicates an active low GPI.
<i>GPI</i>	GPO	Indication of GPI states. Active LED indicates an active low GPO.
<i>GPO</i>		

The factory default status display is *DIO*.

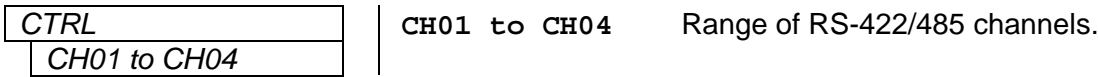
When *DI* mode is selected, the card edge signal presence LEDs represent input signals coming in to the card for the channels. When *DO* mode is enabled, these LEDs represent signals coming out of the card. When *DIO* is selected, *DI* and *DO* indications are combined to illuminate the LEDs accordingly. These *DI*, *DO*, and *DIO* modes affect the status globally. You can not select each mode independently on each channel.

For example: Channel 5 has a signal coming in from a serial device. If set to *DI* mode, the corresponding LED will turn on. If set to *DO* mode, the LED will turn off (unless there is bi-directional communication from the other side). *DIO* mode will cause the LED to turn on again because of its *DI* and *DO* combination.

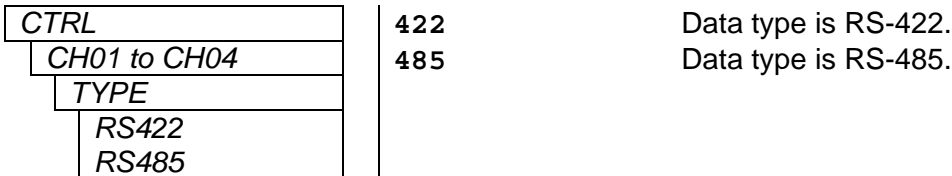
4.2.4. Selecting the Serial Data Type

The 7707DT provides four channels of serial data that are selectable as RS-422 or RS-485. Selection of the data type is done using the card-edge interface or through *VistaLINK*® control.

To select the serial data type, select the `CTRL` menu item in menu level 1. The 7707DT allows the data type to be set independently for each channel. Use the toggle switch to choose the channel to which the selection will be applied. Press the pushbutton to apply the displayed selection.



Use the toggle switch to select the `TYPE` menu item and press the pushbutton. The toggle switch may then be used to select the desired data type. Press the pushbutton to apply the displayed selection and return to menu level 3. You can select other items on menu level 3, or select the `BACK` menu item to return to menu level 2.

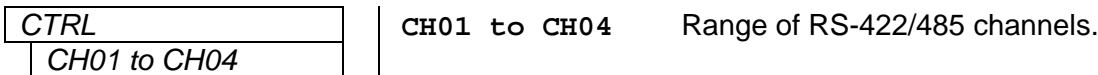


The factory default configuration selects the data type as RS-422.

4.2.5. Selecting the Serial Data Rate

While the data type is selected as RS-485, the 7707DT provides a data rate selection for the respective channel(s). This selection should match the RS-485 data rate used for the specific application, and applies the correct network timeout for the signal driver. Selection of the data rate is done using the card-edge interface or through *VistaLINK*® control.

To select the RS-485 data rate, select the `CTRL` menu item in menu level 1. The 7707DT allows independent terminations to be set for each channel. Use the toggle switch to choose the channel to which the selection will be applied. Press the pushbutton to apply the displayed selection.



Use the toggle switch to select the `RATE` menu item and press the pushbutton. The toggle switch may then be used to select the desired data rate. Press the pushbutton to apply the displayed selection and return to menu level 3. You can select other items on menu level 3, or select the `BACK` menu item to return to menu level 2.

CTRL	1K2	Data rate is selected as 1.2Kb/s
CH01 to CH04	2K4	Data rate is selected as 2.4Kb/s
TYPE	4K8	Data rate is selected as 4.8Kb/s
1K2	9K6	Data rate is selected as 9.6Kb/s
2K4	19K2	Data rate is selected as 19.2Kb/s
4K8	38K4	Data rate is selected as 38.4Kb/s
9K6	57K6	Data rate is selected as 57.6Kb/s
19K2	76K8	Data rate is selected as 76.8Kb/s
38K4	115K	Data rate is selected as 115Kb/s
57K6	153K	Data rate is selected as 153Kb/s
76K8	230K	Data rate is selected as 230Kb/s
115K	460K	Data rate is selected as 460Kb/s
153K		
230K		
460K		

The factory default configuration selects the RS-485 data rate as 9.6Kb/s.

4.2.6. Selecting the Serial Data Termination

To simplify installation, the 7707DT provides a selectable input termination of 110Ω for the RS422/485 input signals. This termination should be active as required by the specific application, and common practice. Selection of the termination is done using the card-edge interface or through VistaLINK® control.

To turn the termination on or off, select the CTRL menu item in menu level 1. The 7707DT allows terminations to set independently for each channel. Use the toggle switch to choose the channel to which the selection will be applied. Press the pushbutton to apply the displayed selection.

CTRL	CH01 to CH04	Range of RS-422/485 channels.
CH01 to CH04		

Use the toggle switch to select the TERM menu item and press the pushbutton. The toggle switch may then be used to turn the termination on or off. Use the toggle switch to select the desired state then press the pushbutton to apply the displayed selection and return to menu level 3. You can select other items on menu level 3, or select the BACK menu item to return to menu level 2.

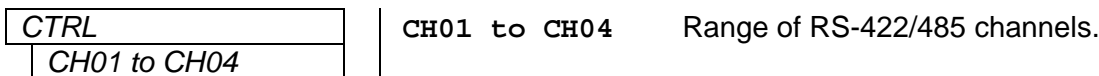
CTRL	ON	The 110Ω is selected as active.
CH01 to CH04	OFF	The 110Ω is selected as inactive, and the input is high impedance.
TERM		
ON		
OFF		

The factory default configuration turns the termination OFF.

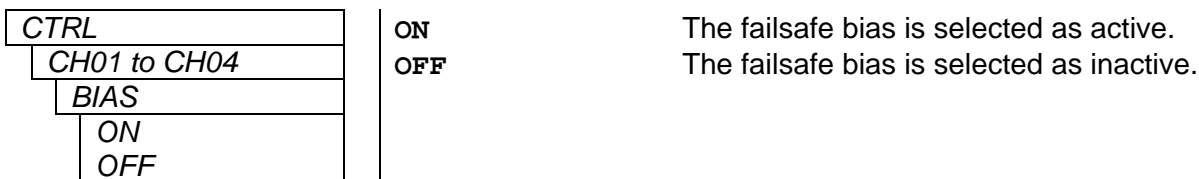
4.2.7. Selecting the Serial Data Failsafe Bias

To simplify installation, the 7707DT provides a selectable failsafe bias for balanced serial data signals. This bias should be active as required by the specific application, and common practice. The failsafe bias will apply a differential +200mV bias to a properly designed RS-485 system while in the idle state. As a protection feature, the failsafe bias will not become active unless the termination is also active for the respective channel. The failsafe bias circuit of the 7707DT will function properly over the specified input common mode range. Selection of the failsafe bias is done using the card-edge interface or through VistaLINK® control.

To turn the failsafe bias on or off, select the CTRL menu item in menu level 1. The 7707DT allows a failsafe bias threshold to be set independently for each channel. Use the toggle switch to choose the channel to which the selection will be applied. Press the pushbutton to apply the displayed selection.



Use the toggle switch to select the BIAS menu item and press the pushbutton. The toggle switch may then be used to turn the failsafe bias on or off. Use the toggle switch to select the desired state then press the pushbutton to apply the displayed selection and return to menu level 3. You can select other items on menu level 3, or select the BACK menu item to return to menu level 2.



The factory default configuration turns the failsafe bias OFF.

4.3. CONNECTING RS422 DEVICES BETWEEN MASTER AND SLAVE

SMPT E Standard 207M defines the electrical and mechanical characteristics of the device interface used in transferring data and control signals between production and post-production equipment. Each interface system consists of a single bus-controller (Master) and one or more tributaries (Slaves). The bus-controller (Master) controls the communication flow to all tributaries (Slaves) connected to it, while a tributary (Slave) transmits data to an operational device.

A pair of 7707DTs can be configured to interface between a bus-controller (Master) and a tributary (Slave) if configured as follows:

Controller (Master)			Tributary (Slave)		
Signal	DB9 Pin#	7707DT	7707DT	DB9 Pin#	Signal
Rx-	2	RS422 Out -	RS422 In -	2	Tx-
Tx+	3	RS422 In +	RS422 Out +	3	Rx+
Rx+	7	RS422 Out +	RS422 In +	7	Tx+
Tx-	8	RS422 In -	RS422 Out -	8	Rx-

Table 4-1: Connecting RS422 Signals Between Master & Slave

5. JUMPER CONTROLS

Several jumpers, located at the front of the module are used to preset various operating modes. Figure 4-1 shows the locations of the jumpers.

5.1. SELECTING THE CARD ID

Configuration of the **CARD ID** jumper is required for single-fiber 7707DT and 7707DT-GPIO versions only. To maintain a robust optical link between two companion 7707DT cards, the **CARD ID** jumper must be set differently on each.

CARD ID: To maintain a link between two 7707DT cards, set this jumper to position A on one, and to position B on the other. Position B may be selected on either of the cards, as long as position A is selected for the companion card.

5.2. SELECTING WHETHER LOCAL FAULTS WILL BE MONITORED BY THE GLOBAL FRAME STATUS

The FRAME STATUS jumper determines whether local faults (as shown by the Local Fault indicator) will be connected to the 7700FR frame's global status bus.

FRAME STATUS: To monitor faults on this module with the frame status indicators (on the Power Supply FRAME STATUS LED's and on the Frame's Fault Tally output) install this jumper in the On position (default)

When this jumper is installed in the Off position local faults on this module will not be monitored.

5.3. CONTROL JUMPER (No Longer Used)

The control jumper is no longer considered by recent code versions, and if installed, should be disregarded by the user.

5.4. CONFIGURING THE MODULE FOR FIRMWARE UPGRADES

RUN/UPGRADE: The RUN/UPGRADE jumper is used when firmware upgrades are being done to the module. For normal operation it should be installed in the *RUN* position. See the *Upgrading Firmware* chapter in the front of the binder for more information.

To upgrade the firmware in the module unit pull it out of the frame. Move the RUN/UPGRADE jumper J16 into the *UPGRADE* position. Install the Upgrade cable provided (located in the vinyl pouch in the front of the binder) onto SERIAL header J27 at the card edge. Re-install the module into the frame. Run the upgrade as described in *Upgrading Firmware* chapter in the front of the binder. Once the upgrade is complete, remove the module from the frame, move J16 into the *RUN* position, remove the upgrade cable and re-install the module. The module is now ready for normal operation.

6. VISTALINK[®] REMOTE MONITORING/CONTROL

6.1. WHAT IS VISTALINK[®]?

VistaLINK[®] is Evertz's remote monitoring and configuration platform which operates over an Ethernet network using Simple Network Management Protocol (SNMP). SNMP is a standard computer network protocol that enables different devices sharing the same network to communicate with each other. VistaLINK[®] provides centralized alarm management, which monitors, reports, and logs all incoming alarm events and dispatches alerts to all the VLPro Clients connected to the server. Card configuration through VistaLINK[®] PRO can be performed on an individual or multi-card basis using simple copy and paste routines, which reduces the time to configure each module separately. Finally, VistaLINK[®] enables the user to configure devices in the network from a central station and receive feedback that the configuration has been carried out.

There are 3 components of SNMP:

1. An SNMP manager, also known as a Network Management System (NMS), is a computer running special software that communicates with the devices in the network. Evertz VL-Fiber demo Manager graphical user interface (GUI), third party or custom manager software may be used to monitor and control Evertz VistaLINK[®] enabled fiber optic products.
2. Managed devices (such as 7707DT cards), each with a unique address (OID), communicate with the NMS through an SNMP Agent. Evertz VistaLINK[®] enabled 7700 series modules reside in the 3RU 7700FR-C MultiFrame and communicate with the manager via the 7700FC VistaLINK[®] frame controller module, which serves as the Agent.
3. A virtual database, known as the Management Information Base (MIB), lists all the variables being monitored, which both the Manager and Agent understand. Please contact Evertz for further information about obtaining a copy of the MIB for interfacing to a third party Manager/NMS.

For more information on connecting and configuring the VistaLINK[®] network, see the 7700FC Frame Controller chapter.

6.2. VISTALINK[®] MONITORED PARAMETERS

The following parameters can be remotely monitored via the VistaLINK[®] interface.

Parameter	Description
Optical Power	Optical Input Power. See section 4.2.2
Optical Link Not Present	Link Loss Condition. See section 4.2.2
Laser Fault	Laser Error Condition. See section 4.2.2
Data Input (DI) Status	Data Input Status. See section 4.2.3
Data Output (DO) Status	Data Output Status. See section 4.2.3
GPI Status (7707DT-GPIO versions)	GPI Status. See section 4.2.3
GPO Status (7707DT-GPIO versions)	GPO Status. See section 4.2.3
Card ID Jumper	Card ID Jumper State. See section 5.1

Table 6-1: VistaLINK[®] Monitored Parameters

6.3. VISTALINK[®] CONTROLLED PARAMETERS

The following parameters can be remotely controlled via the *VistaLINK[®]* interface.

Parameter	Description
Data Type	Data Type Control. See section 4.2.4
Data Rate	Data Rate Control. See section 4.2.5
Cable Termination	Input Termination Control. See section 4.2.6
Failsafe Bias	Input Failsafe Bias Control. See section 4.2.7
Optical Power Alarm Threshold	Threshold for optical input power warning trap.

Table 6-2: *VistaLINK[®]* Controlled Parameters

6.4. VISTALINK[®] TRAPS

The following traps are reported via the *VistaLINK[®]* interface.

Trap	Description
Optical Link Not Present	Link Loss Condition. See section 4.2.2
Laser Fault	Laser Error Condition. See section 4.2.2
Optical Power Below Threshold	Optical power is below <i>VistaLINK[®]</i> configured threshold.

Table 6-3: *VistaLINK[®]* Traps

7. APPENDIX - MPK ROUTER CONTROL INTERFACE TO 7707DT

7.1. OVERVIEW

Philips Broadcast implemented the MPK (message per keystroke) interface protocol for control panels used in Jupiter router systems. Grass Valley has since become responsible for the Jupiter series of router systems. The MPK control interface uses a proprietary method of signaling, for which special considerations are required when connecting to other interface types. This application note describes methods for using the 7707DT Fiber Data Transceiver to transport MPK control signals.

The 7707DT series Fiber Data Transceivers communicate bi-directional RS-422 and RS-485 data signals over a single fiber optic link. By methods described herein, the MPK interface protocol is also accommodated. The user must first note that the MPK interface protocol is different from RS-422 or RS-485.

RS-422: Two devices send data separately in each direction between them. Data in each direction is carried over a balanced pair of wires. Each of the two devices is always transmitting data to the receiver of the other device. Figure 7-1 shows an RS-422 connection between two devices.

RS-485: Each of two or more devices sends and receives data separately over a shared balanced pair of wires. At any one time, only one device can transmit data. This avoids contention of the shared pair of wires. Each device takes turns transmitting data. While not transmitting data, the interface of each other device is in a high-impedance state, and receives input data. Data from the transmitting device is broadcast to all other devices. Each other device must process data being received, and realize its turn to transmit data. By this method, several devices can communicate data between each other using the same balanced pair of wires. Figure 7-2 shows an RS-485 connection between four devices.

MPK: This is a proprietary interface protocol used to communicate between Control Panels and System Controllers of the Jupiter router system. One port of a System Controller (such as the VM-3000) communicates with one or more Control Panels. The method of data transfer in the System Controller to Control Panel direction is different from that in the Control Panel to System Controller direction. Figure 7-3 shows an MPK connection between a System Controller and three Control Panels.

The System Controller broadcasts data to one or more Control Panels. One balanced pair of wires connects output data from the System Controller to all Control Panels. The interface protocol in this direction is similar to RS-422, in that the System Controller is always transmitting data to the Control Panel inputs.

Each Control Panel must be able to send data back to the System Controller. For this purpose, a single balanced pair of wires is shared between all Control Panels. At any one time, only one Control Panel can transmit data. This avoids contention of the shared balanced pair of wires. Each Control Panel takes turns transmitting data. While not transmitting data, the interface of each other Control Panel is in a high-impedance state. The interface protocol in this direction is similar to RS-485, in that each Control Panel takes turns transmitting data to the System Controller over a shared balanced pair of wires.

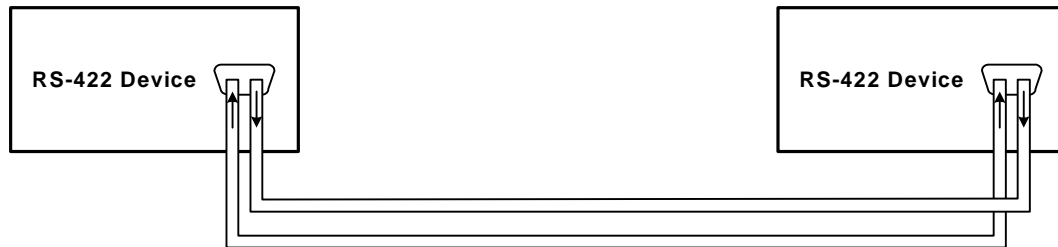


Figure 7-1: RS-422 Interface Example

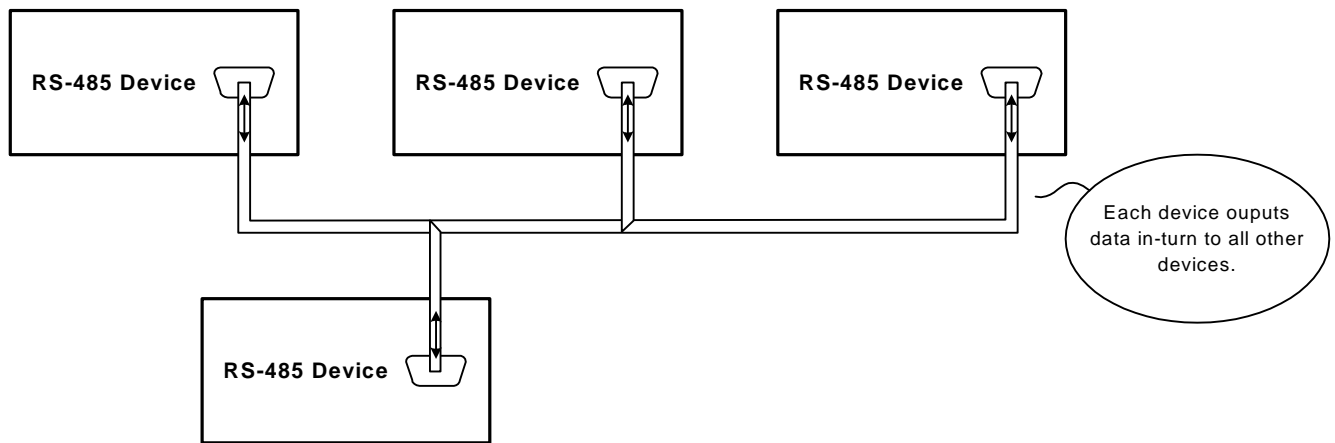


Figure 7-2: RS-485 Interface Example

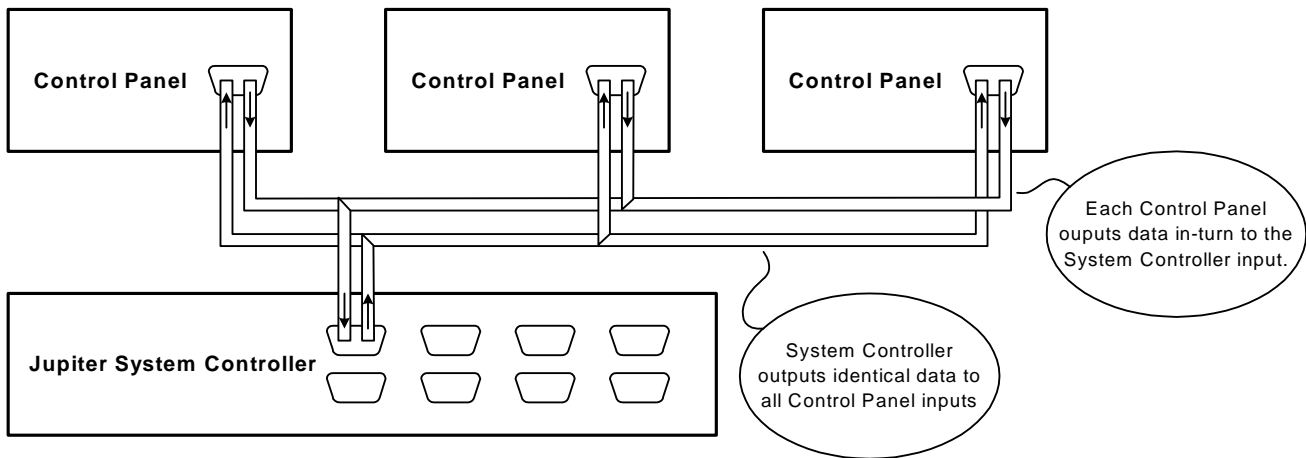


Figure 7-3: MPK Interface Example

7.2. INTERFACE METHODS

From the above overview, it is apparent that special considerations are required when connecting MPK interface signals to the RS-422 or RS-485 interface of the 7707DT. The issue at hand is the high-impedance state that each Control Panel assumes between data transmissions. If several control panel outputs are to be connected together, then this high-impedance state is required to avoid contention of the shared output connection. The RS-422 interface protocol does not accommodate a high-impedance output state. The RS-485 interface protocol does support this high-impedance output state, but only accommodates a single balanced connection per signal channel. The below two sections describe special requirements for connecting the MPK interface to the RS-422 or RS-485 interfaces of the 7707DT.

7.2.1. MPK Interface to RS-422

The RS-422 interface format does not accommodate a high-impedance output state. The MPK interface signal can, however, be connected to the RS-422 interface of the 7707DT. While the input to the 7707DT is in a high-impedance state, the respective output of the companion 7707DT will assume a known logic state. By this method the MPK signal will be converted to an RS-422 signal, and the high-impedance state will be converted to a known logic state.

MPK data from one or more Control Panels can therefore be transported across the RS-422 interface of the 7707DT. The System Controller must have an independent connection to the RS-422 interface of one 7707DT. All Control Panels sharing that System Controller port must reside on the respective RS-422 connection of the companion 7707DT. If any Control Panel is connected to the 7707DT interface that is local to the System Controller, the output signals of the 7707DT and that Control Panel will conflict by outputting data to the shared signal connections at the same time.

Serial data channels used for this interface method should be configured for RS-422 at both ends of the 7707DT fiber link. Figure 7-4 and Figure 7-5 describe correct and incorrect interface methods, respectively. Figure 7-6 describes pin-for-pin connections for the correct method.

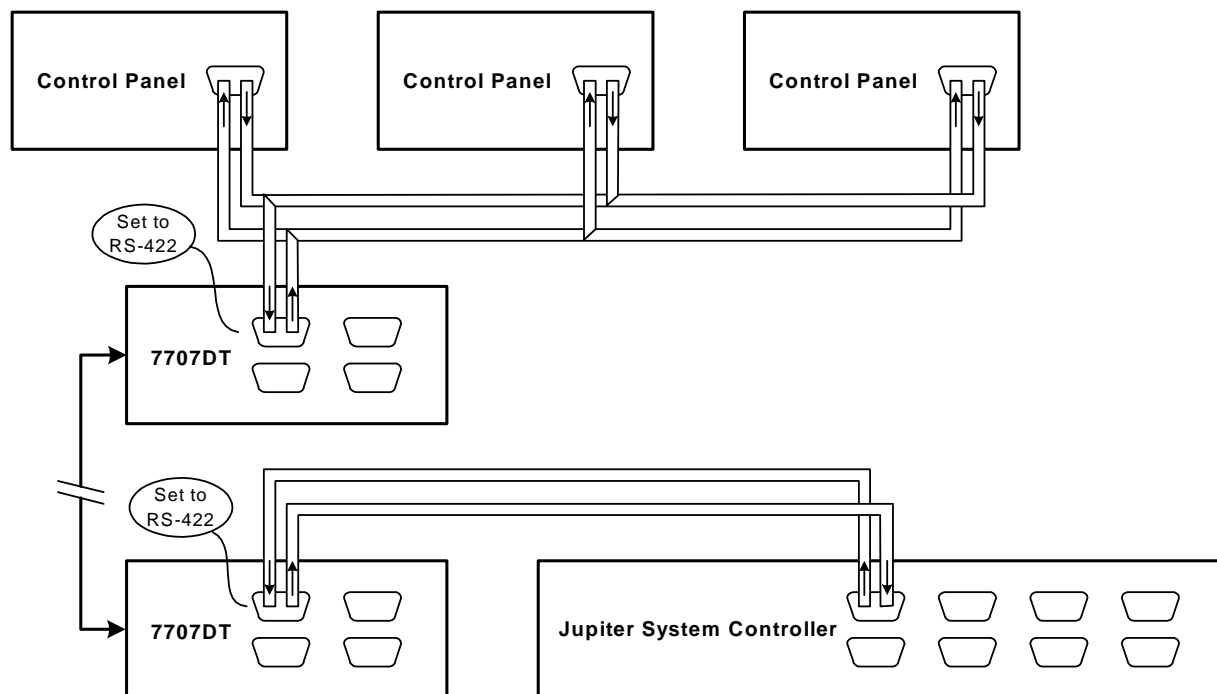


Figure 7-4: MPK Interface to RS-422 - Correct Method

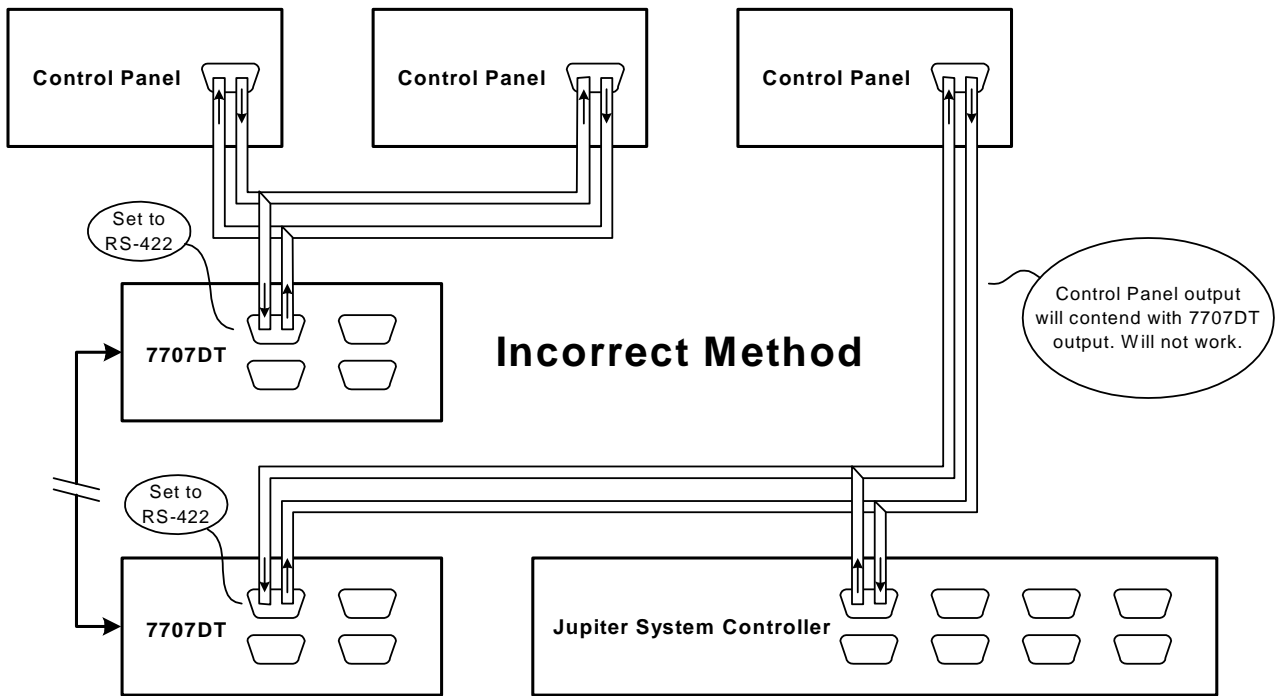


Figure 7-5: MPK Interface to RS-422 - Incorrect Method

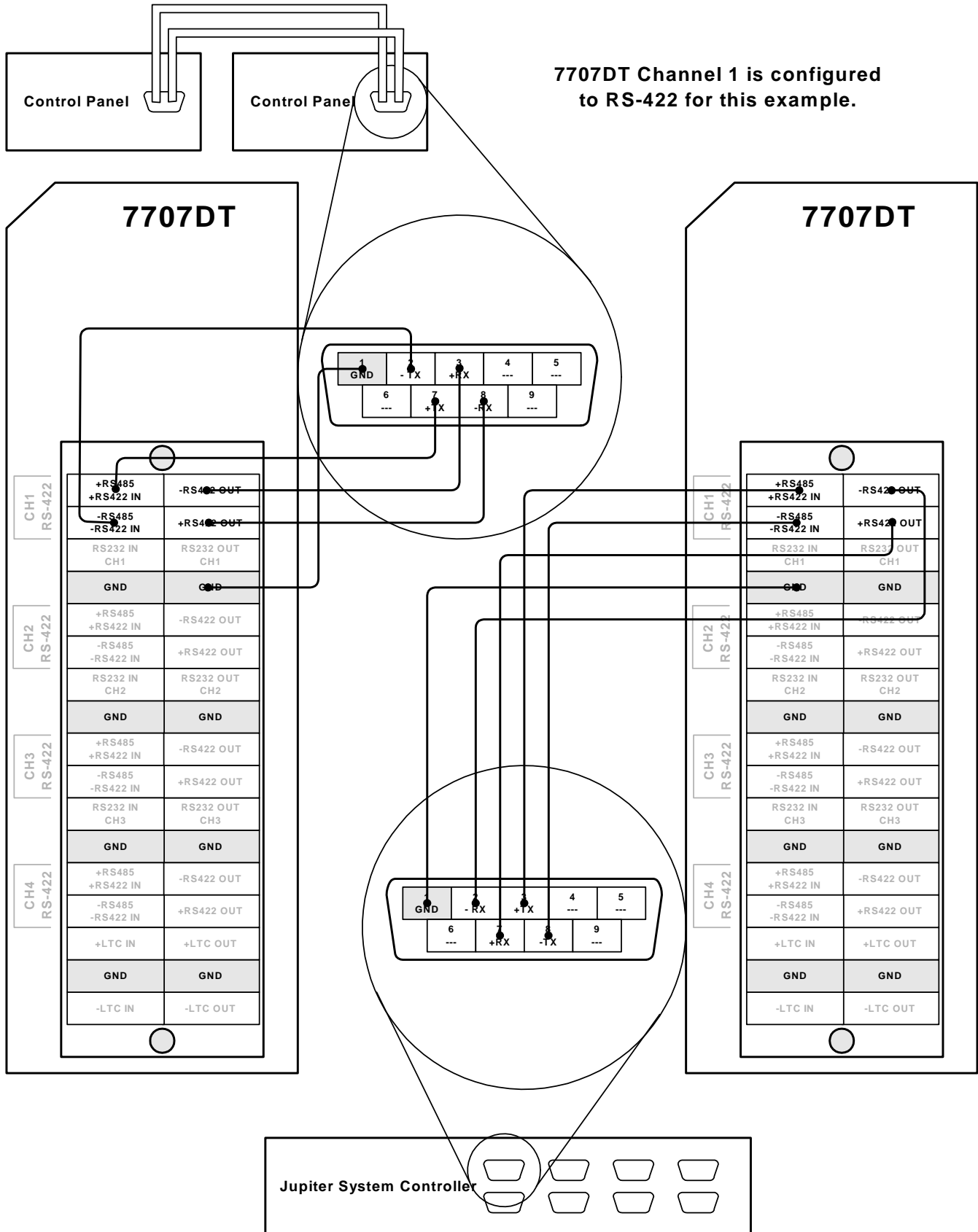


Figure 7-6: MPK Interface to RS-422

7.2.2. MPK Interface to RS-485

A second interface method exists, which allows Control Panels to be located on both ends of the 7707DT fiber link. This method is only advantageous should available ports be limited on the System Controller. Otherwise, Control Panels connected on the System Controller side of the 7707DT fiber link can be moved to a spare port, and the previously described method used.

The 7707DT can be configured to operate with RS-485 interfaces. This type of interface allows the output signal to be placed in a high-impedance state, as required for direct connection to Control Panel outputs. Therefore, when this method of interface is used, Control Panels may be connected on both ends of the 7707DT fiber link. The RS-485 interface protocol accommodates only one balanced pair of wires. Therefore, two channels of the 7707DT must be used; one for each direction of data transport.

Only the channel used to transport data in the Control Panel to System Controller Direction should be configured for RS-485. This channel should be configured for a data rate of 1200baud. The channel used to transport data in the System Controller to Control Panel direction should be configured for RS-422. Refer to the manual for details about configuring each channel.

Figure 7-7 shows a block diagram describing this method of interface. Figure 7-8 describes pin-for-pin connections.

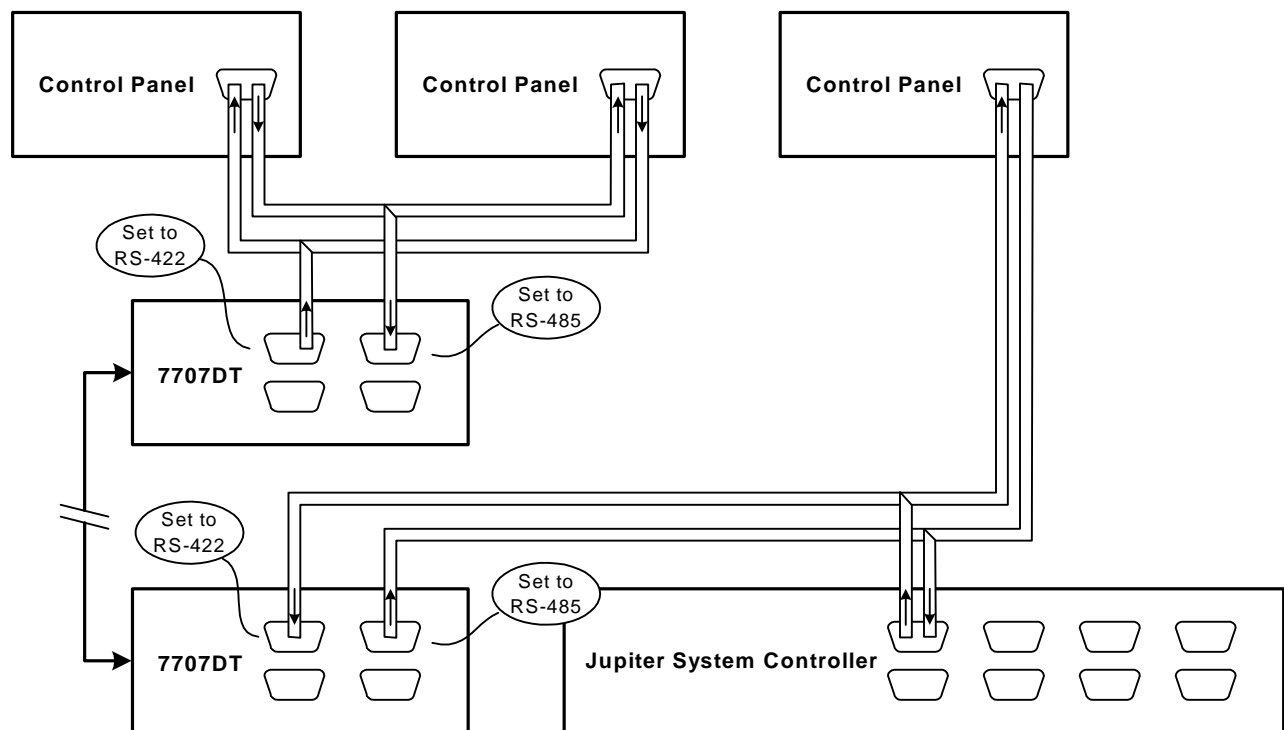


Figure 7-7: MPK Interface to RS-485

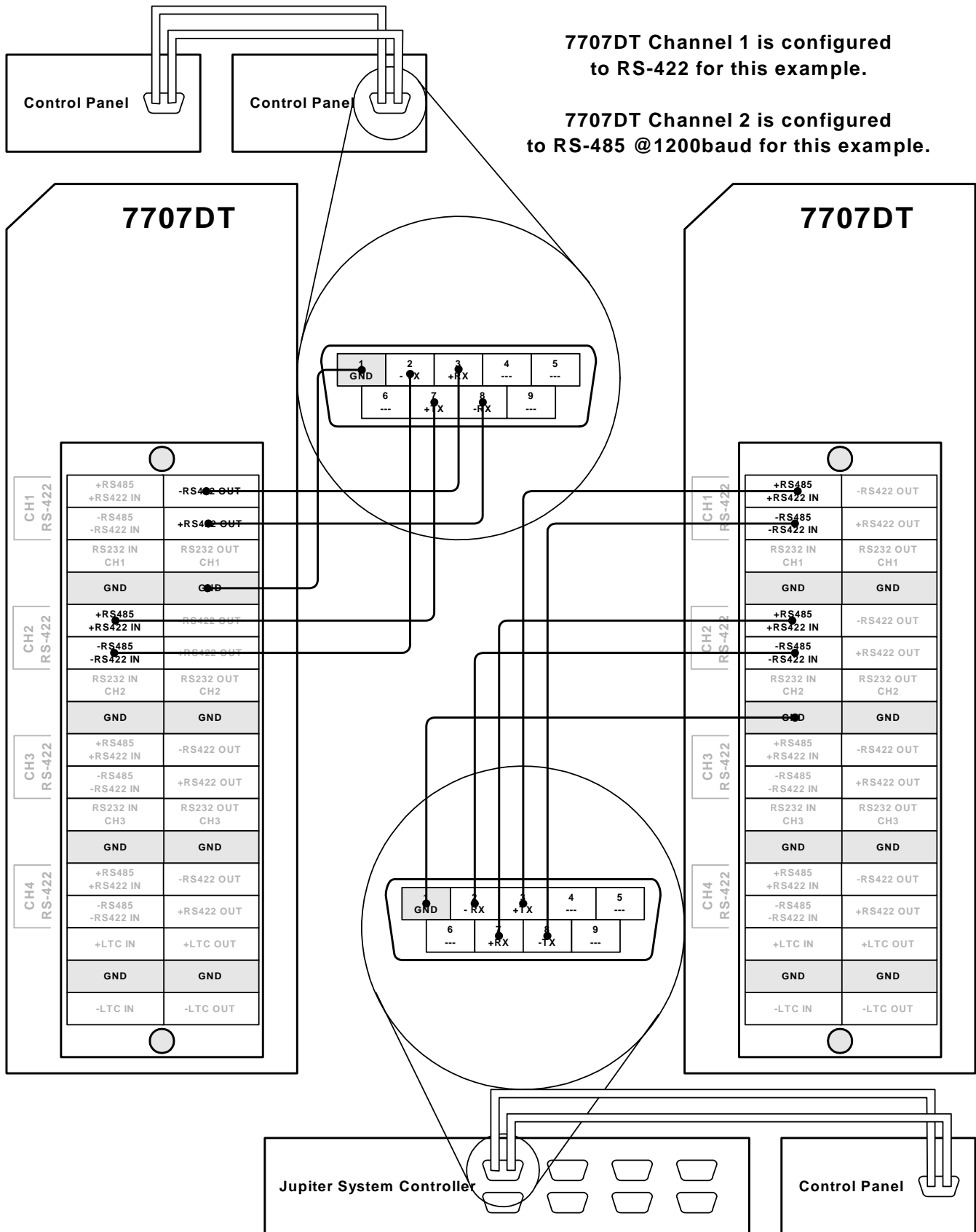


Figure 7-8: MPK Interface to RS-485

7.3. TERMINATION AND FAILSAFE BIAS

If signal cable lengths are kept to a minimum, then the above interface methods should work without any requirement for terminations or failsafe bias. The 7707DT does provide selectable input terminations and failsafe bias when required.

Signal terminations are used to eliminate distortion of signals traveling over long lengths of cable. If problems are experienced, and signal distortion is suspected, then the user should enable the input termination of the respective 7707DT. Input terminations are easily selectable through the card edge interface of the 7707DT, or via *VistaLINK*[®], as described in the product manual. As a general rule, terminations are most effective when placed at the far end of a cable. If more than two devices are connected to the same cable, as could be the case with MPK interfaces, then it is recommended that the 7707DT be located at the far end of the longest cable segment when possible.

The 7707DT also provides a selectable bias on the balance data inputs. This is referred to as a failsafe bias, as it places the balanced input connections in a known logic state while no device is transmitting to them. Any direct connection between a 7707DT input and a Control Panel may require a failsafe bias, to compensate for ambient noise, long lengths of cable, or connection to many devices. Input failsafe bias is easily selectable through the card edge interface of the 7707DT, or via *VistaLINK*[®], as described in the product manual. To enable failsafe bias on any channel of the 7707DT, the termination must first be enabled.

This page left intentionally blank