

TABLE OF CONTENTS

1. OVERVIEW.....	1
2. INSTALLATION	3
3. SPECIFICATIONS	4
3.1. SERIAL VIDEO INPUT.....	4
3.2. SERIAL VIDEO OUTPUTS.....	4
3.3. PHYSICAL	4
3.4. ELECTRICAL	4
4. STATUS LEADS	5
5. JUMPERS AND USER ADJUSTMENTS.....	6
5.1. SELECTING WHETHER LOCAL FAULTS WILL BE MONITORED BY THE GLOBAL FRAME STATUS.....	6
5.2. CONNECTING LOOP THRU.....	6
5.3. SELECTING WHETHER THE MODULE WILL BE CONTROLLED FROM THE LOCAL CONTROLS OR THROUGH THE VISTALINK® INTERFACE	7
5.4. SELECTING THE RECLOCKING RATE.....	7
5.5. CONFIGURING THE MODULE FOR FIRMWARE UPGRADES	7
6. VISTALINK® REMOTE MONITORING/CONTROL	8
6.1. WHAT IS VISTALINK®?	8
6.2. VISTALINK® MONITORED PARAMETERS	8
6.3. VISTALINK® CONTROLLED PARAMETERS	9
6.4. VISTALINK® TRAPS	9

Figures

Figure 1-1: 7700DA6-HD-L Block Diagram 2
Figure 2-1: 7700DA6-HD-L Rear IO Module 3
Figure 5-1: LED and Jumper Locations..... 6

Tables

Table 6-1: VistaLINK® Monitored Parameters 8
Table 6-2: VistaLINK® Controlled Parameters..... 9
Table 6-3: VistaLINK® Traps 9

REVISION HISTORY

<u>REVISION</u>	<u>DESCRIPTION</u>	<u>DATE</u>
1.0	Original Version	May 2007
1.1	General format cleanup. Updated block diagram.	Sep 2009
1.2	Updated "LED and Jumper Locations" drawing. Removed all references to jumper J2 termination (jumper does not exist on this product).	Jun 2011
1.3	Updates throughout manual	Oct 2011
1.4	Minor updates to section 1, 3.1 and 5.2	Sep 2014

Information contained in this manual is believed to be accurate and reliable. However, Evertz assumes no responsibility for the use thereof nor for the rights of third parties, which may be affected in any way by the use thereof. Any representations in this document concerning performance of Evertz products are for informational use only and are not warranties of future performance, either expressed or implied. The only warranty offered by Evertz in relation to this product is the Evertz standard limited warranty, stated in the sales contract or order confirmation form.

Although every attempt has been made to accurately describe the features, installation and operation of this product in this manual, no warranty is granted nor liability assumed in relation to any errors or omissions unless specifically undertaken in the Evertz sales contract or order confirmation. Information contained in this manual is periodically updated and changes will be incorporated into subsequent editions. If you encounter an error, please notify Evertz Customer Service department. Evertz reserves the right, without notice or liability, to make changes in equipment design or specifications.

This page left intentionally blank

1. OVERVIEW

The 7700 HD series Distribution Amplifiers provide reliable distribution of your 1.5Gb/s HDTV and 270Mb/s Standard Definition serial digital signal. The 7700DA6-HD-L features one auto-equalized input with passive loop thru which allows for cascading of multiple DA cards.

The 7700DA6-HD-L features an auto-equalized input with 6 reclocked outputs. The DA has been designed to reclock at 1.5Gb/s and 270Mb/s. In non-reclocking mode it can be used as a SMPTE 310M or SMPTE 259M/292M distribution product.

The 7700DA6-L occupies one card slot and can be housed in a 1RU frame which will hold up to 3 modules, a 3RU frame which will hold up to 15 modules, a 350FR portable frame which will hold up to 7 modules or a standalone enclosure that will hold 1 module.

Features:

- Reclocking mode for SMPTE 292M (1.5Gb/s), SMPTE 259M (270Mb/s),
- DVB-ASI or HD/SD auto sensing
- Non-reclocking mode for SMPTE 310M (also SMPTE 259M, 292M)
- VistaLINK[®] - capable offering remote monitoring, control and configuration capabilities via SNMP. VistaLINK[®] is available when modules are used with the 3RU 7700FR-C frame and a 7700FC
- VistaLINK[®] Frame Controller module in slot 1 of the frame

Status LEDs:

- Signal presence
- Module Health Status

Input:

- SMPTE 292M (1.5Gb/s) Reclocking mode
- SMPTE 259M (270Mb/s) DVB-ASI - Reclocking mode
- SMPTE 310M - Non-reclocking mode

Output:

- 6 reclocked outputs
- 1 passive looping output
- Wideband jitter < 0.2 UI

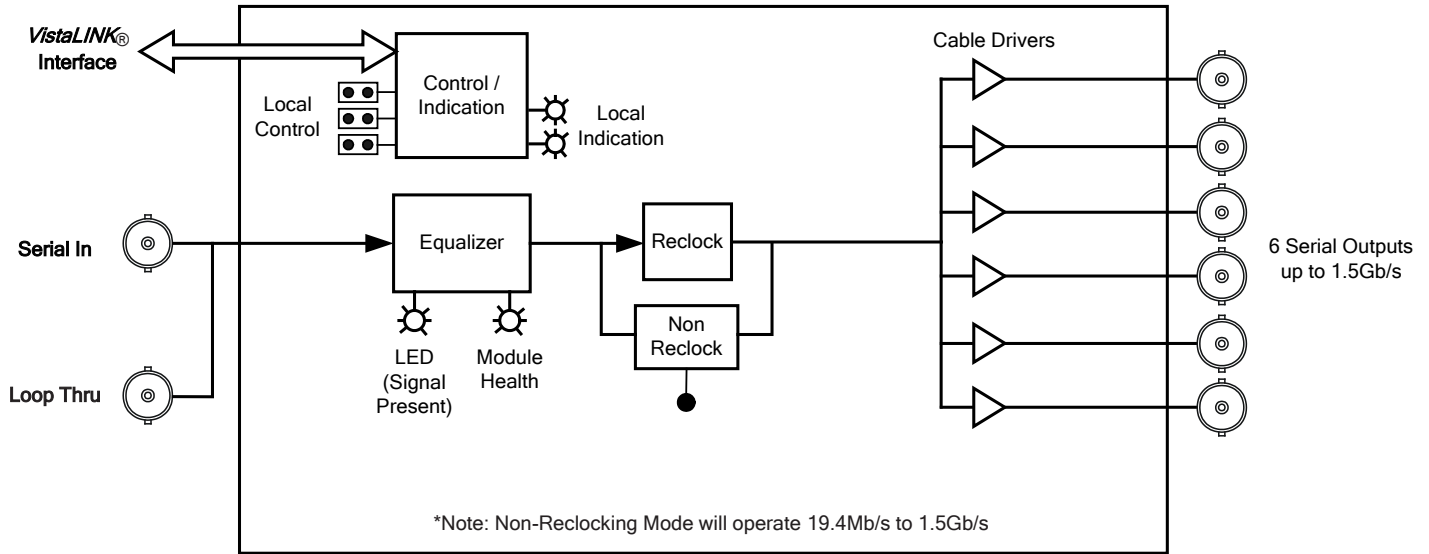


Figure 1-1: 7700DA6-HD-L Block Diagram

2. INSTALLATION

The 7700DA6-HD-L comes with a companion rear plate that occupies one slot in the frame. For information on inserting the module into the frame see section 3 of the 7700FR chapter.

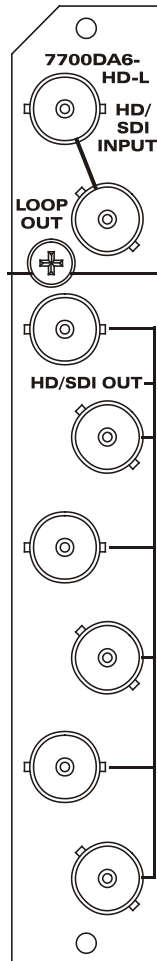


Figure 2-1: 7700DA6-HD-L Rear IO Module

SDI INPUT: Input BNC connector for 10-bit serial digital video signals compatible with the SMPTE 292M, SMPTE 259M, DVB-ASI or SMPTE 310M standard. See section 5.3 for information on selecting the correct video standard.

LOOP: The loop thru BNC connector for 10-bit serial digital video signals is compatible with the SMPTE 292M, SMPTE 259M or DVB-ASI standard. The output signal is the same as the input video signal (without any reclocking). Refer to section 5.2 for information regarding loop thru connections.

SDI OUTPUT: There are six BNC connectors with reclocked serial component video outputs, compatible with the SMPTE 292M, SMPTE 259M / DVB-ASI, or SMPTE 310M standard.

3. SPECIFICATIONS

3.1. SERIAL VIDEO INPUT

Standard:	SMPTE 292M, SMPTE 259M-A, B, C, D, DVB-ASI or M2S
In Non-Reclock Mode:	SMPTE 310M (also SMPTE 259M, 292M)
Connector:	1 BNC per IEC 61169-8 Annex A
Equalization:	Automatic to 20m @ 1.5Gb/s with Belden 1694A (or equivalent)
Return Loss:	> 15dB to 1.56Gb/s

3.2. SERIAL VIDEO OUTPUTS

Number of Outputs:	6 per Card
Standard:	SMPTE 292M, SMPTE 259M-A, B, C, D, M2S, DVB-ASI
In Non-Reclock Mode:	SMPTE 310M (also SMPTE 259M, 292M)
Signal Level:	800mV nominal
DC Offset:	0V \pm 0.5V
Rise and Fall Time:	200ps nominal
Overshoot:	< 10% of amplitude
Return Loss:	> 15dB to 1.56Gb/s
Wideband Jitter:	< 0.2 UI

3.3. PHYSICAL

Number of Slots:	1
-------------------------	---

3.4. ELECTRICAL

Voltage:	+12V DC
Power:	5W
EMI/RFI:	Complies with FCC Part 15, Class A EU EMC Directive

4. STATUS LEDES

The 7700DA6-HD-L has eight LED Status indicators on the front card edge to show operational status of the card at a glance. Figure 5-1 shows the location of the LEDs.

Two large LEDs on the front of the board indicate the general health of the module.

LOCAL FAULT: This Red LED indicates poor module health and will be On during the absence of a valid input signal or if a local input power fault exists (i.e.: a blown fuse). The LOCAL FAULT indication can also be reported to the frame through the FRAME STATUS jumper.

MODULE OK: This Green LED indicates good module health. It will be On when a valid input signal is present, and board power is good.

There are six small status LED's:

- LED 1:** Green LED indicating 1.485Gb/s re-clock rate
- LED 2:** Green LED indicating Incoming Signal Lock
- LED 3:** Orange LED indicating Remote Control (VistaLink[®] Monitoring) function
- LED 5:** Green LED indicating 270Mb/s re-clock rate
- LED 6:** Not Used
- LED 7:** Orange LED indicating Re-clock bypass on

5. JUMPERS AND USER ADJUSTMENTS

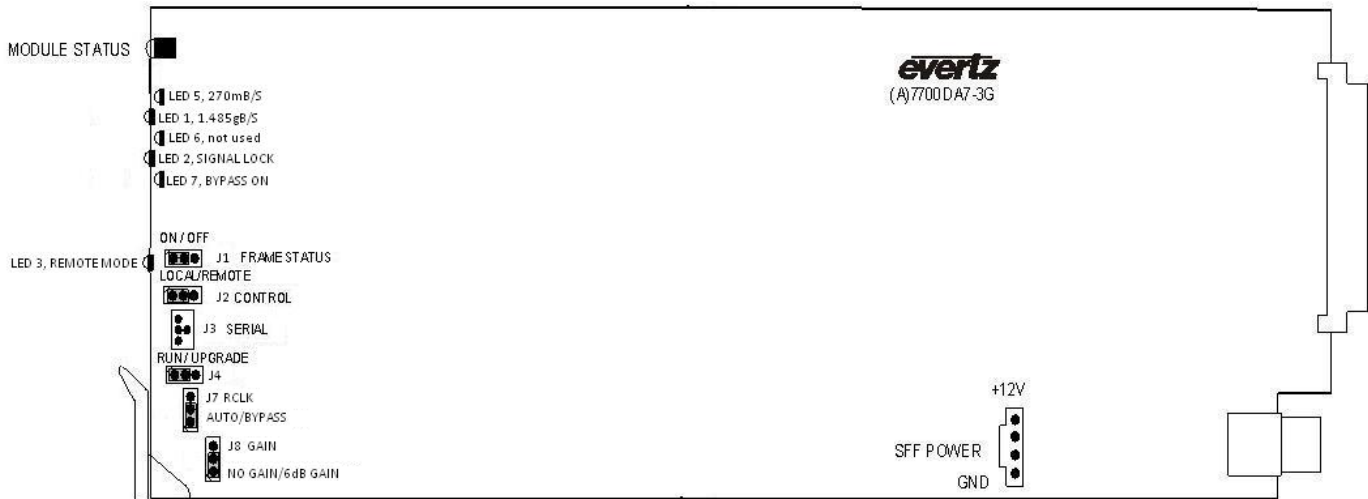


Figure 5-1: LED and Jumper Locations

5.1. SELECTING WHETHER LOCAL FAULTS WILL BE MONITORED BY THE GLOBAL FRAME STATUS

The FRAME STATUS jumper J1, located at the front of the module determines whether local faults (as shown by the Local Fault indicator) will be connected to the 7700FR frame's global status bus.

FRAME STATUS: To monitor faults on this module with the frame status indicators (on the power supply's FRAME STATUS LED's and on the Frame's Fault Tally output) install this jumper in the On position.

When this jumper is installed in the Off position local faults on this module will not be monitored.

5.2. CONNECTING LOOP THRU

The LOOP BNC connector is used to connect multiple 7700DA6-HD-L modules to the same input video signal. This is accomplished by connecting the LOOP connector of the source module to the IN connector of the next module. This is repeated for the desired number of modules. The last module in the looped chain **MUST HAVE** the LOOP connector terminated with 75Ω.



The last module in the looped chain **MUST BE** terminated with 75Ω.



Due to the use of a passive loop through, the 7700DA6-HD-L is only recommended for applications with short input cable lengths. Care should be taken when designing a system using passive loop through modules. The length of loop through connections should be minimized and kept to cards within the same or adjacent frame. The specified cable length is further reduced with each successive loop through.

5.3. SELECTING WHETHER THE MODULE WILL BE CONTROLLED FROM THE LOCAL CONTROLS OR THROUGH THE VISTALINK[®] INTERFACE

The CONTROL jumper J2 selects whether the module will be controlled from the local jumpers or through the VistaLINK[®] interface.

CONTROL: When this jumper is installed in the LOCAL position, the card functions are controlled through the local jumpers.

When this jumper is installed in the REMOTE position, the card functions are controlled through the VistaLINK[®] interface.

5.4. SELECTING THE RECLOCKING RATE

The RCLK jumper J7, located at the front of the module near the card ejector, determines whether the module will operate as a re-clocking distribution amplifier with SMPTE 292M, SMPTE 259M or 344M (143 to 540 Mb/s) or DVB-ASI video signals or with SMPTE 310M (19.4 Mb/s) signals.

RATE SELECT: **Auto:** Re-clocking mode is set to auto based on sensed input signal.

Bypass: Re-clocking mode is bypassed.

5.5. CONFIGURING THE MODULE FOR FIRMWARE UPGRADES

UPGRADE: The UPGRADE jumper J4, located at the front of the module near the card ejector, is used when firmware upgrades are being done to the module. For normal operation it should be installed in the *RUN* position. See the *Upgrading Firmware* section in the front of the binder for more information.

To upgrade the firmware in the module unit pull it out of the frame. Move Jumper J4 into the *UPGRADE* position. Install the Upgrade cable provided (located in the vinyl pouch in the front of this manual) onto header J3. Re-install the module into the frame. Run the upgrade as described in the *Upgrading Firmware* section in the front of the binder. Once the upgrade is completed, remove the module from the frame, move J4 to the *RUN* position, remove the upgrade cable and re-install the module. The module is now ready for normal operation.

6. VISTALINK® REMOTE MONITORING/CONTROL

6.1. WHAT IS VISTALINK®?

VistaLINK® is Evertz's remote monitoring and configuration platform which operates over an Ethernet network using Simple Network Management Protocol (SNMP). SNMP is a standard computer network protocol that enables different devices sharing the same network to communicate with each other. VistaLINK® provides centralized alarm management, which monitors, reports, and logs all incoming alarm events and dispatches alerts to all the VLPro Clients connected to the server. Card configuration through VistaLINK® PRO can be performed on an individual or multi-card basis using simple copy and paste routines, which reduces the time to configure each module separately. Finally, VistaLINK® enables the user to configure devices in the network from a central station and receive feedback that the configuration has been carried out.

There are 3 components of SNMP:

1. An SNMP manager, also known as a Network Management System (NMS), is a computer running special software that communicates with the devices in the network. Evertz VistaLINK® Pro Manager graphical user interface (GUI), third party or custom manager software may be used to monitor and control Evertz VistaLINK® enabled products.
2. Managed devices (such as 7700DA6-HD-L), each with a unique address (OID), communicate with the NMS through an SNMP Agent. Evertz VistaLINK® enabled 7700 series modules reside in the 3RU 7700FR-C MultiFrame and communicate with the manager via the 7700FC VistaLINK® frame controller module, which serves as the Agent.
3. A virtual database known as the Management Information Base (MIB) lists all the variables being monitored, which both the Manager and Agent understand. Please contact Evertz for further information about obtaining a copy of the MIB for interfacing to a third party Manager/NMS.

For more information on connecting and configuring the VistaLINK® network, see the 7700FC Frame Controller chapter.

6.2. VISTALINK® MONITORED PARAMETERS

The following parameters can be remotely monitored through the VistaLINK® interface.

Parameter	Description
Detected Video Standard	Indicates the detected video standard
Video Locked	Indicates whether or not there is a video lock
Master Jumper	Indicates whether the card is in Remote or Local Mode (position of the CONTROL jumper)
Card Type	Indicates the version of the module (7700DA6-HD-L)

Table 6-1: VistaLINK® Monitored Parameters

6.3. VISTALINK[®] CONTROLLED PARAMETERS

Parameter	Description
Bypass Mode	Sets the re-clocker mode. If 'none', the re-clocker is never bypassed. If 'auto', the re-clocker is auto-bypassed when the PLL is not locked. If 'force', the re-clocker is always bypassed
DVB/ASI Mode	Sets the auto locking to DVB/ASI or 177Mb/s mode

Table 6-2: VistaLINK[®] Controlled Parameters**6.4. VISTALINK[®] TRAPS**

Trap	Description
Video Lock	Triggers when there is no video lock

Table 6-3: VistaLINK[®] Traps

This page left intentionally blank